

DW363121**PRESSURE SENSORS • CONNECTION G1/8" INNER THREAD**

Pressure sensors are suitable for measuring different media with high accuracy. They are available with switching output and/or analog output. Using PC software, the measured values can be recorded depending on the device type. These sensors can be used in all areas of e.g. pneumatic and hydraulic applications.

MECHANICAL DATA

| | |
|-----------------------------|--------------------|
| Ambient temperature | -20 °C ... 80 °C |
| Degree of protection (IP) | IP65 |
| Explosion-proof | No |
| For gaseous media | Yes |
| For liquid media | Yes |
| Housing design | Cylinder plain |
| Housing material | PA 6.6 (synthetic) |
| Max. operating pressure | 1500 hPa |
| Max. operating pressure | 1 bar |
| Medium temperature | -20 °C ... 80 °C |
| Nominal pressure | 1 bar |
| Sensing element material | Ceramics |
| Sensor diameter | 38 mm |
| Sensor length | 108 mm |
| Thread length | 12 mm |
| Thread pitch | 0.91 mm |
| Type of pressure connection | G1/8 inch |
| With hand operation | No |

ELECTRICAL DATA

| | |
|--|----------------------|
| Adjustable hysteresis | Yes |
| Damping (analog output) MAX | 20 s |
| Damping (displayed value) MAX | 20 s |
| Decay time | 5 ms |
| Electronic version | Yes |
| End setting | 500 hPa ... 1000 hPa |
| End value measuring range, pressure | 100000 Pa |
| Hysteresis | 1 % |
| Initial setting | 0 hPa ... 500 hPa |
| Initial value of measuring range, pressure | 0 Pa |
| IO-Link compatible | No |

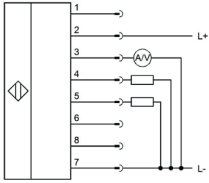
ELECTRICAL DATA

| | |
|--|---|
| Max. output current | 1000 mA |
| Measurement method | Relative |
| Measuring range pressure (MAX) | 1 bar |
| No-load current | 60 mA |
| Number of pins | 8 |
| Number of switching outputs | 2 |
| Operating voltage | 12 V ... 32 V |
| Peak value memory | Yes |
| Programmable via software | Yes |
| Rated operating voltage U _e at DC | 12 V ... 32 V |
| Readiness delay | 2000 ms |
| Relative linearity deviation | 0.25 % |
| Relative repeat accuracy | 0.1 % |
| Response time | 5 ms |
| Reverse polarity protection | Yes |
| Setting procedure | Parameterization |
| Short-circuit-proof | Yes |
| Suitable as 2-point control | Yes |
| Suitable as limiter | Yes |
| Suitable as monitor | Yes |
| Switching frequency | 125 Hz |
| Switching output with window function | Yes |
| Temperature drift | 0.2 % |
| Turn-off delay | 20 s |
| Turn-on delay | 20 s |
| Type of alarm output | PNP |
| Type of analog output | 0 V ... 10 V / 4 mA ... 20 mA / 0 ... 20 mA |
| Type of electrical connection | Plug-in connection M12 |
| Type of switching function | Normally closed contact/normally open contact |
| Type of switching output | PNP |
| Voltage drop | 2 V |
| Voltage type | DC |
| With display | Yes |
| With LED display | Yes |
| With manual on/off switch | No |

OTHER DATA

| | |
|----------------------------|----------|
| For hydraulic applications | Yes |
| For pneumatic applications | Yes |
| Measuring display | Relative |

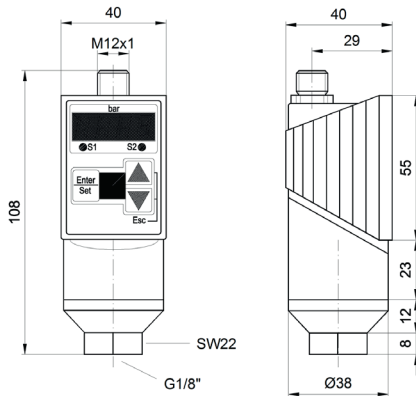
CONNECTION



Colors: 1 = WH (white), 2 = BN (brown), 3 = GN (green), 4 = YE (yellow), 5 = GY (gray), 6 = PK (pink), 7 = BU (blue), 8 = RD (red)

Functions: 1 = n. c., 2 = L+, 3 = analog, 4 = PNP NO NC, 5 = PNP NO NC, 6 = n. c., 7 = L-, 8 = n. c.

DIMENSIONAL DRAWING



INSTALLATION



Mounting / Installation may only be carried out by a qualified electrician!

DISPOSAL



SAFETY WARNINGS

Before initial operation, please make sure to follow all safety instructions that may be provided in the product information!