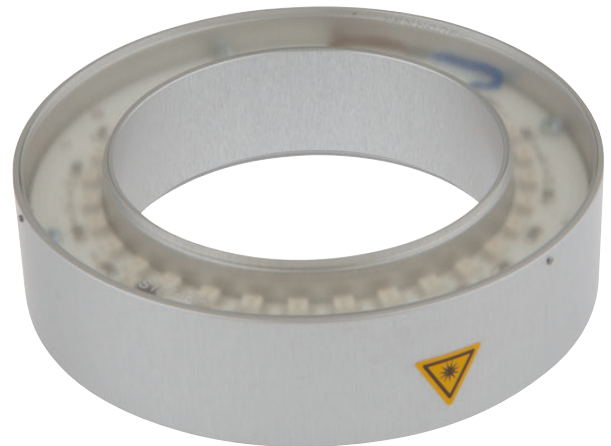


**ERK00170**

**LED-LIGHTS • ADDITIONAL LIGHTS FOR CAMERA SYSTEMS**

For any kind of inspection tasks with a camera sensor the lighting is essential, as only high-contrast images enable reproducible evaluations. Here the lighting has a decisive influence. The choice depends on different factors such as the distance to the test object, its size, the component criteria to be tested or the expected environmental conditions.



**MECHANICAL DATA**

Ambient temperature (MAX)	50 °C
Degree of protection (IP)	IP41
Diameter	101 mm
Front screen material	Acrylic glass
Housing design	Round
Housing material	Aluminium
Length	24 mm
Wet area	Yes

**ELECTRICAL DATA**

Max. current consumption	165 mA
Nominal supply voltage	24 V ... 24 V
Number of pins	4
Type of electrical connection	Connector M8
Voltage type	DC

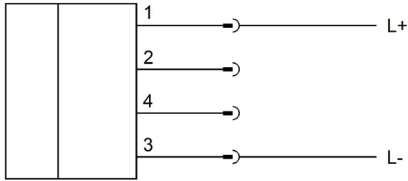
**OPTICAL DATA**

Actual camera illumination	Yes
Light source	Infrared light
Light version	Ring lights
Number of LEDs	32
Radiation angle	120 °
Wavelength of the lamp	850 nm

**OTHER DATA**

Changeable fronts	Yes
Harsh environmental conditions	Yes
Mounting on lenses	Yes

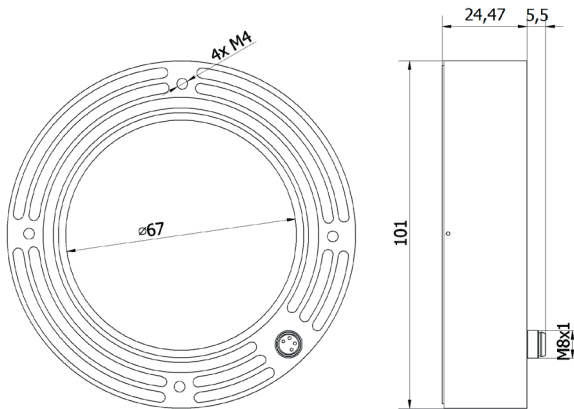
## CONNECTION



**Colors:** 1 = BN (brown), 2 = WH (white), 3 = BU (blue), 4 = BK (black)

**Functions:** 1 = L+, 2 = n. c., 3 = L-, 4 = n. c.

## DIMENSIONAL DRAWING



## INSTALLATION



Mounting / Installation may only be carried out by a qualified electrician!

## DISPOSAL



## SAFETY WARNINGS

Before initial operation, please make sure to follow all safety instructions that may be provided in the product information!