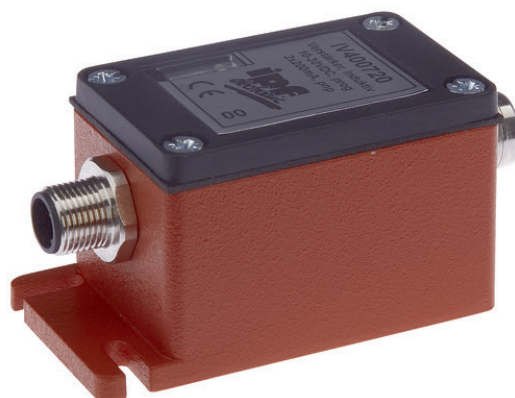


IV400720

INDUCTIVE SENSORS • ENLARGED AMBIENT TEMPERATURE

Inductive proximity switches are contact-free sensors. They detect all conductive metals, regardless of whether they move or not. The achievable sensing range of the devices depends on the object material and its dimensions. The vibration-resistant sensors can be approached laterally or frontally. Inductive proximity switches are used for presence detection (e.g. goods carriers), positioning (e.g. dampers), counting (e.g. nuts /bolts), speed detection (e.g. for cog wheels), on conveyor systems (e.g. hose feedings) or distance measurements (e.g. press-in checking) of metallic objects.



MECHANICAL DATA

Degree of protection (IP)	IP65
Depth	74.5 mm
Device design	Field device
Height	42 mm
Housing design	Cuboid
Housing material	Aluminium
Length	74.5 mm
Mounting method	Floor fastening
Width	40 mm

ELECTRICAL DATA

Amplifier for inductive sensors	Yes
Galvanic isolation between input and output	No
Galvanic isolation between inputs	No
Galvanic isolation between supply voltage and all other current circuits	No
Inherently safe according to EN 60947-5-6 NAMUR	No
Malfunction message output	Yes
No-load current	25 mA
Number of channels	1
Number of output circuits, transistor pnp	1
Number of pins	4
Rated supply voltage at DC	10 V ... 30 V
Reverse polarity protection	Yes
Short-circuit-proof	Yes
Suitable for safety functions	No
Switching capacity	4.8 VA
Switching current	0.2 A
Switching frequency	1000 Hz
Switching voltage	24 V
Type of electrical connection	Plug-in connection M12

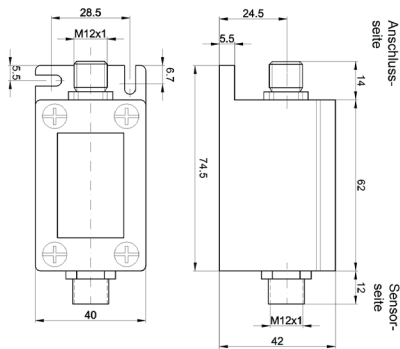
ELECTRICAL DATA

Type of switching function	Normally open/normally closed
Type of voltage supply	Active
Voltage drop	2 V
With LED display	Yes

OTHER DATA

Operating temperature	-25 °C ... 75 °C
-----------------------	------------------

DIMENSIONAL DRAWING



INSTALLATION



Mounting / Installation may only be carried out by a qualified electrician!

DISPOSAL



SAFETY WARNINGS

Before initial operation, please make sure to follow all safety instructions that may be provided in the product information!