

MZ070125

MAGNETIC SENSORS • SENSORS FOR PNEUMATIC CYLINDERS

For many tasks in the field of automation technology, it is necessary to recognize the motional processes in pneumatic and hydraulic cylinders and to detect the position of the piston with precision. For this, magnetic cylinder sensors are used.



MECHANICAL DATA

| | |
|---------------------------------------|---------------------------|
| Ambient temperature | -25 °C ... 75 °C |
| Degree of protection (IP) | IP67 |
| Housing design | Cuboid |
| Housing material | Zinc die-cast |
| Increased ambient temperatures > 80°C | No |
| Metal housing | Yes |
| Mounting access, cylinder groove | Lateral |
| Sensor height | 22 mm |
| Sensor length | 23 mm |
| Sensor surface position | Border area of the device |
| Sensor width | 10.1 mm |
| Strong vibration / motion | Yes |

ELECTRICAL DATA

| | |
|---|-------------------------|
| Cross/short circuit identification possible | Yes |
| Hysteresis | 1 mm |
| Low sensitivity | No |
| Low switching hysteresis | Yes |
| Max. output current | 200 mA |
| No-load current | 15 mA |
| Number of pins | 4 |
| Number of switching outputs | 1 |
| Operating voltage | 10 V ... 30 V |
| Reed contact | No |
| Relative repeat accuracy | 0.1 mm |
| Reverse polarity protection | Yes |
| Sensor surface (active) | Border area / edge area |
| Setting via teach-in | No |
| Short-circuit-proof | Yes |
| Suitable for safety functions | No |
| Switching frequency | 1000 Hz |

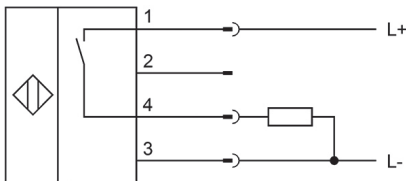
ELECTRICAL DATA

| | |
|--|-----------------------|
| Two switching points | No |
| Type of electrical connection | Connector M12 |
| Type of switching function | Normally open contact |
| Type of switching output | PNP |
| Voltage drop | 2 V |
| Voltage type | DC |
| With LED display | Yes |
| With monitoring function of downstream devices | No |

OTHER DATA

| | |
|--------------------------------|---------------|
| Cylinder sensors | Yes |
| Cylinder version | With T-groove |
| Harsh environmental conditions | Yes |
| Metallic sensor surface | No |
| Oil and cooling lubricants | Yes |
| Short travel path | No |

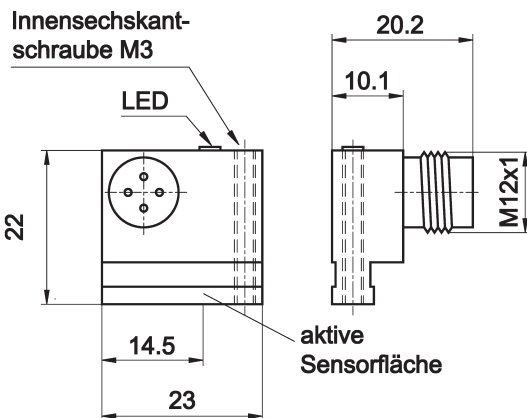
CONNECTION



Colors: 1 = BN (brown), 2 = WH (white), 3 = BU (blue), 4 = BK (black)

Functions: 1 = L+, 2 = n. c., 3 = L-, 4 = PNP NO

DIMENSIONAL DRAWING



INSTALLATION



Mounting / Installation may only be carried out by a qualified electrician!

DISPOSAL



SAFETY WARNINGS

Before initial operation, please make sure to follow all safety instructions that may be provided in the product information!