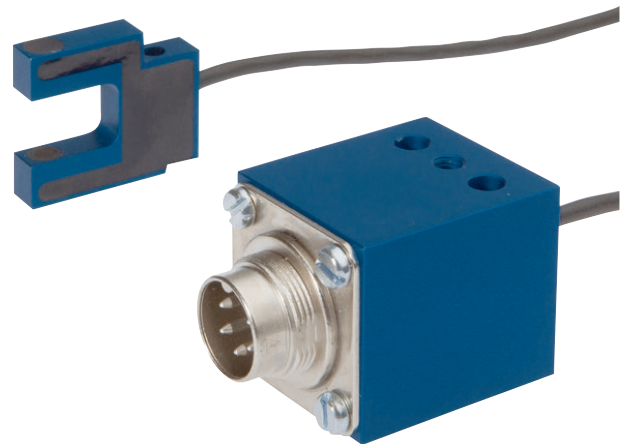


OGSI0296

OPTICAL SENSORS • FORK LIGHT BARRIERS

Special design of through-beam sensor. Transmitter and receiver are located in the fork or angular limbs and are perfectly aligned to each other.



MECHANICAL DATA

Ambient temperature	-20 °C ... 80 °C
Aperture diameter	0.6 mm
Cable length	0.5 m
Degree of protection (IP)	IP67
Fork depth	13.5 mm
Fork light barrier design	Furcate
Fork width	10 mm
Housing design	Cuboid
Housing material	Aluminium
Material of cable sheath	Other
Material of optical surface	Glass
Punching tools	Yes
Reflector included in the scope of delivery	No
Sensor height	24 mm
Sensor length	26.5 mm
Sensor width	6 mm

ELECTRICAL DATA

Analogue output 0 mA ... 20 mA	No
Analogue output 0 V ... 10 V	No
Analogue output -10 V ... +10 V	No
Analogue output 4 mA ... 20 mA	No
Connection to amplifier	Yes
Equipment protection class	Protection class 3
Max. switching distance	10 mm
Number of pins	5
Pre-failure message	No
Rated switching distance	10 mm
Relative repeat accuracy	0.01 mm
Repeatability +/-	10 µm
Setting procedure	Parameterization

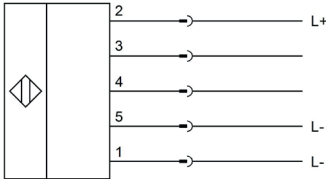
ELECTRICAL DATA

Suitable for safety functions	No
Type of electrical connection	Plug-in connection
Type of the forked light barrier	High resolution
With communication interface, analog	No
With communication interface, AS-Interface	No
With communication interface, CANOpen	No
With communication interface, DeviceNet	No
With communication interface, Ethernet	No
With communication interface, INTERBUS	No
With communication interface, PROFIBUS	No
With communication interface, RS-232	No
With communication interface, RS-422	No
With communication interface, RS-485	No
With communication interface, SSD	No
With communication interface, SSI	No
With monitoring function of downstream devices	No
With other analog output	No
With restart lock	No
With time function	No

OPTICAL DATA

Laser protection class	None
Light beam form	Point
Light source	Infrared light
Light spot	0.28 mm ²
Min. object size	0.2 mm
Wavelength of the sensor	905 nm

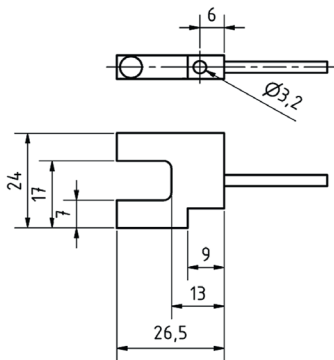
CONNECTION



Colors: 1 = BU (blue), 2 = BN (brown), 3 = WH (white), 4 = BK (black), 5 = RD (red)

Functions: 1 = L-, 2 = L+, 3 = PNP NC NPN NO, 4 = PNP NO NPN NC, 5 = connection monitoring

DIMENSIONAL DRAWING



INSTALLATION



Mounting / Installation may only be carried out by a qualified electrician!

DISPOSAL



SAFETY WARNINGS

Before initial operation, please make sure to follow all safety instructions that may be provided in the product information!