

**OI98E097**

**TEMPERATURE SENSORS • CONTACTLESS MEASUREMENT (INFRARED)**



**MECHANICAL DATA**

Ambient temperature (MAX)	65 °C
Cable length of measuring head	8 m
Degree of protection (IP)	IP65
Diameter	49.3 mm
Measurement of material humidity	No
Operating temperature of the measuring head	85 °C
Operating temperature of the measuring head	-20 °C
Sensor length	100 mm

**ELECTRICAL DATA**

Data logging possible	Yes
Display	Digital
Infrared measurement	Yes
Interface	No
Interface possible	Yes
Measured value memory	No
Measurement of differential temperature	No
Measurement of rel. air humidity	No
Measuring range	-50 °C ... 975 °C
Multiple display	No
No-load current	160 mA
Operating voltage	8 V ... 36 V
Programmable via software	Yes
Relative repeat accuracy	0.5 %
Separate sensor	Yes
Thermocouple RTD	No
Type B thermocouple	No
Type E thermocouple	No
Type J thermocouple	Yes
Type K thermocouple	Yes
Type N thermocouple	No

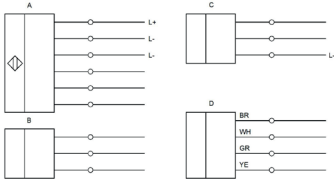
## ELECTRICAL DATA

Type of electrical connection	Cable
Type R thermocouple	No
Type S thermocouple	No
Type T thermocouple	No
With LED display	Yes

## OPTICAL DATA

Small measuring spot	Yes
----------------------	-----

## CONNECTION



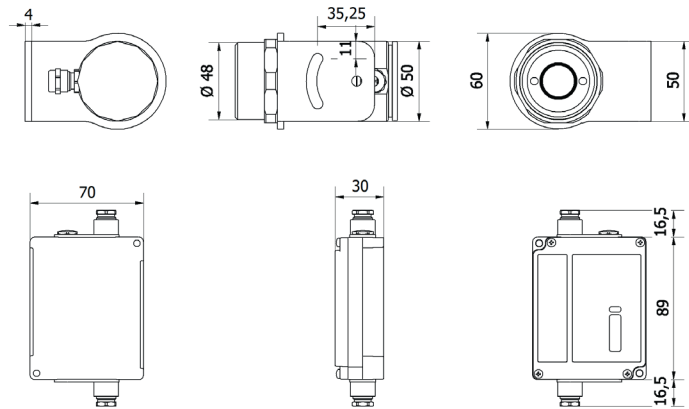
**Colors:** D: BN = (brown), WH = (white), GN = (green), YE = (yellow)

**Functions:** A: L+, L-, L-, OUT-AMB, OUT-TC, OUT-mV/mA

B: F1, F2, F3

C: alarm 2, 3V, L-

## DIMENSIONAL DRAWING



## INSTALLATION



Mounting / Installation may only be carried out by a qualified electrician!

## DISPOSAL



## SAFETY WARNINGS

Before initial operation, please make sure to follow all safety instructions that may be provided in the product information!