

OS150075

OPTICAL SENSORS • THROUGH-BEAM SENSORS TRANSMITTERS

Optical sensors function contactlessly. They detect objects independent of their characteristics (e.g., shape, color, surface structure, material). The basic operating principle is based on the transmission and reception of light. There are three different versions: 1. The through-beam sensor consists of two separate devices, a transmitter and a receiver that are aligned with one another. If the light beam between the two devices is interrupted, the switching output integrated in the receiver changes its status. 2. With the retro-reflective sensor, the transmitter and receiver are located in one device. The emitted light beam is reflected back to the receiver by a reflector that is to be mounted opposite the device. As soon as the light beam is interrupted, the switching output integrated in the device changes its status. 3. With the diffuse reflection sensor, the transmitter and receiver are in one device. The emitted light beam is reflected by the object that is to be detected. As soon as the receiver detects the reflected light, the switching output integrated in the device changes its status.



MECHANICAL DATA

Ambient temperature	-25 °C ... 55 °C
Degree of protection (IP)	IP65
Housing design	Cuboid
Housing material	PBTP
Material of optical surface	Glass
Sensor height	30 mm
Sensor length	30 mm
Sensor width	15 mm

ELECTRICAL DATA

Clock frequency of the transmitter	15 kHz
Function test	Yes
IO-Link compatible	No
Measuring range	6 m
No-load current	15 mA
No-load current, transmitter	15 mA
Number of pins	3
Operating voltage	10 V ... 35 V
Rated switching distance	6000 mm
Residual ripple	20 %
Reverse polarity protection	Yes
Type of electrical connection	Connector M8
Type of input voltage	DC
Voltage type	DC
With time function	No

OPTICAL DATA

Light beam form	Point
-----------------	-------

OPTICAL DATA

Light source

Infrared light

Wavelength of the sensor

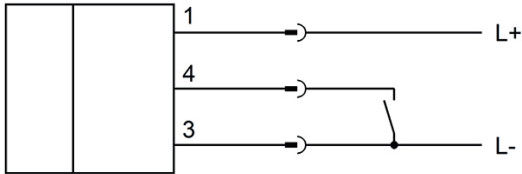
880 nm

OTHER DATA

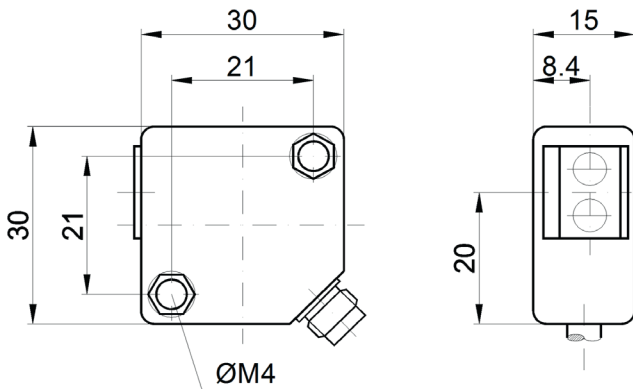
Scope of delivery of the one-way system

Transmitter

CONNECTION



DIMENSIONAL DRAWING



INSTALLATION



Mounting / Installation may only be carried out by a qualified electrician!

DISPOSAL



SAFETY WARNINGS

Before initial operation, please make sure to follow all safety instructions that may be provided in the product information!