

OY410520

OPTICAL SENSORS • LIGHT BARRIERS

The multi-function light barriers are through-beam sensors where multiple beams are integrated. In case of interruption of only one beam, the switching output of the receiver changes its state. The devices are used where standard through-beam sensors with only one beam are not sufficient. There are devices with beam spacing of 20, 40, 60 or 120mm and different heights available. An integrated fuzzy logic controls the transmitting power automatically.



MECHANICAL DATA

| | |
|-----------------------------|-----------------|
| Ambient temperature | -5 °C ... 50 °C |
| Cover material | Plastic |
| Degree of protection (IP) | IP65 |
| Housing material | Aluminium |
| Material of optical surface | PMMA |
| Protected field height | 75 mm |
| Sensor height | 100 mm |
| Sensor length | 20.5 mm |
| Sensor width | 40 mm |

ELECTRICAL DATA

| | |
|---|-------------------|
| Cascadable | No |
| Clock control possible | No |
| Max. output current | 80 mA |
| No-load current, receiver | 60 mA |
| No-load current, transmitter | 60 mA |
| Number of pins, receiver | 4 |
| Number of pins, transmitter | 4 |
| Number of semiconductor outputs with signaling function | 2 |
| Override possible | No |
| Rated control supply voltage U_s at DC | 21.6 V ... 26.4 V |
| Reaction time | 1.2 ms |
| Reverse polarity protection | Yes |
| Short-circuit-proof | Yes |
| Suitable for safety functions | No |
| Suppression possible | No |
| Switching output type of the OSSD | PNP/NPN |
| Type of electrical connection | Connector M12 |
| Type of switching function | Anticoincidence |
| Type of switching output | PNP/NPN |
| Voltage type | DC |

ELECTRICAL DATA

| | |
|--|----|
| With monitoring function of downstream devices | No |
| With muting function | No |
| With restart lock | No |

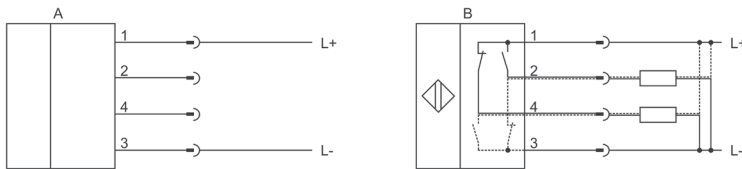
OPTICAL DATA

| | |
|---------------------------------|-------|
| Min. distance | 0.1 m |
| Protected field range | 0.4 m |
| Resolution of the light curtain | 1 mm |

OTHER DATA

| | |
|---|--------------------------|
| Explosion protection category for dust | None |
| Explosion protection category for gas | None |
| Reduced resolution | No |
| Scope of delivery of the one-way system | Transmitter and receiver |
| With beam coding | No |

CONNECTION

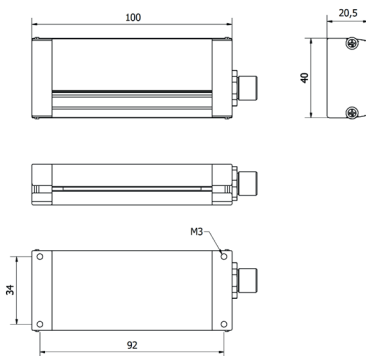


Colors: A: 1 = BN (brown), 2 = WH (white), 3 = BU (blue), 4 = BK (black)

B: 1 = BN (brown), 2 = WH (white), 3 = BU (blue), 4 = BK (black) **Functions:** A: 1 = L+, 2 = n. c., 3 = L-, 4 = n. c.

B: 1 = L+, 2 = PNP NO / NPN NC, 3 = L-, 4 = PNP NC / NPN NO

DIMENSIONAL DRAWING



INSTALLATION



Mounting / Installation may only be carried out by a qualified electrician!

DISPOSAL



SAFETY WARNINGS

Before initial operation, please make sure to follow all safety instructions that may be provided in the product

information!