

PSSI0210

LASER SENSORS • THROUGH-BEAM SENSORS TRANSMITTERS

Optical sensors function contactlessly. They detect objects independent of their characteristics (e.g., shape, color, surface structure, material). The basic operating principle is based on the transmission and reception of light. There are three different versions: 1. The through-beam sensor consists of two separate devices, a transmitter and a receiver that are aligned with one another. If the light beam between the two devices is interrupted, the switching output integrated in the receiver changes its status. 2. With the retro-reflective sensor, the transmitter and receiver are located in one device. The emitted light beam is reflected back to the receiver by a reflector that is to be mounted opposite the device. As soon as the light beam is interrupted, the switching output integrated in the device changes its status. 3. With the diffuse reflection sensor, the transmitter and receiver are in one device. The emitted light beam is reflected by the object that is to be detected. As soon as the receiver detects the reflected light, the switching output integrated in the device changes its status.



MECHANICAL DATA

Ambient temperature	-20 °C ... 50 °C
Degree of protection (IP)	IP67
Housing coating	Anodised
Housing design	Cuboid
Housing material	Aluminium
Reflector included in the scope of delivery	No
Sensor height	28 mm
Sensor length	24 mm
Sensor width	96 mm
Storage temperature	85 °C
Storage temperature	-20 °C

ELECTRICAL DATA

Connection to amplifier	Yes
IO-Link compatible	No
Laser power	1 mW
Measuring range	5 m
No-load current	50 mA
Number of pins	3
Operating voltage	5 V ... 5 V
Rated switching distance	5000 mm
Relative repeat accuracy	10 µm
Setting procedure	Parameterization
Type of analog output	0 V ... 10 V
Type of electrical connection	Connector M8
Type of input voltage	DC
Voltage type	DC

ELECTRICAL DATA

With time function	No
--------------------	----

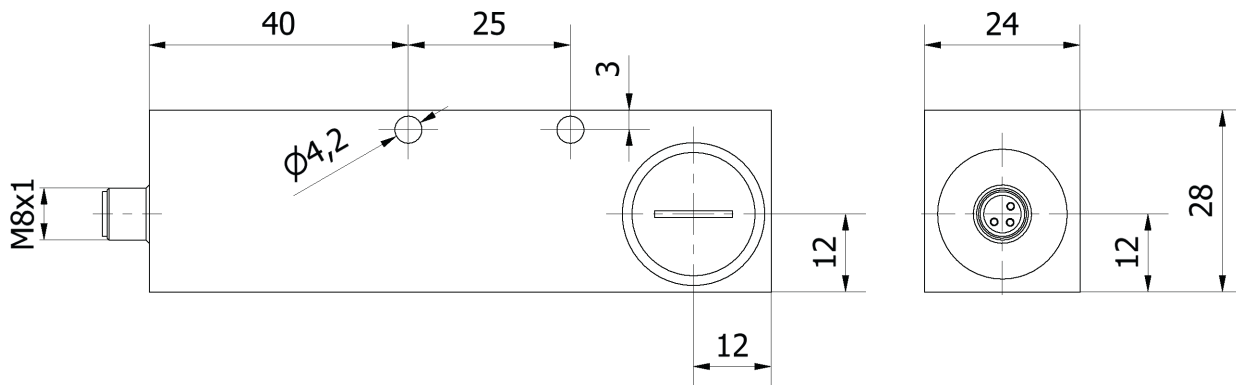
OPTICAL DATA

Aperture length	2 mm
Aperture width	10 mm
Filter	Interference filter
Laser class	2
Laser protection class	Class 1
Light beam form	Line
Light source	Laser diode, red light
Wavelength of the sensor	670 nm

OTHER DATA

Scope of delivery of the one-way system	Transmitter
---	-------------

DIMENSIONAL DRAWING



INSTALLATION



Mounting / Installation may only be carried out by a qualified electrician!

DISPOSAL



SAFETY WARNINGS

Before initial operation, please make sure to follow all safety instructions that may be provided in the product information!