

ELECTRICAL DATA

Type of analog output	0 V ... 10 V / 4 mA ... 20 mA
Type of electrical connection	Connector M12
Voltage type	DC
With LED display	Yes

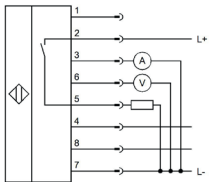
OPTICAL DATA

Geometrical resolution	0.33 mm
Laser protection class	Class 2
Light beam form	Line
Light source	Laser diode, red light
Light spot range	30 mm ²
Light spot range	10 mm ²
Light spot, laser focus	10 mm ²
Resolution	0.33 mm
Small light beam diameter	Yes
Teach-in limits distance	5 mm
Wavelength of the sensor	650 nm

OTHER DATA

Relative linearity deviation	1 %
------------------------------	-----

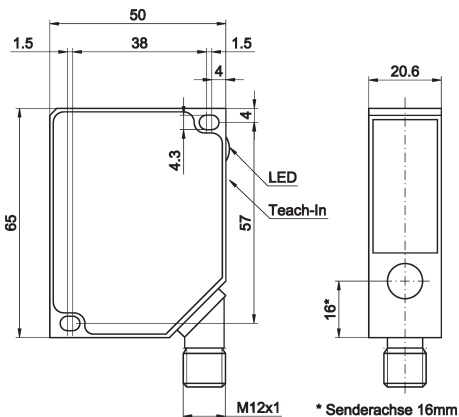
CONNECTION



Colors: 1 = WH (white), 2 = BN (brown), 3 = GN (green), 4 = YE (yellow), 5 = GY (gray), 6 = PK (pink), 7 = BU (blue), 8 = RD (red)

Functions: 1 = n. c., 2 = L+, 3 = 4-20mA, 4 = teach-In, 5 = alarm, 6 = 0-10V, 7 = L-, 8 = sync.

DIMENSIONAL DRAWING



INSTALLATION

DISPOSAL



Mounting / Installation may only be carried out by a qualified electrician!



SAFETY WARNINGS

Before initial operation, please make sure to follow all safety instructions that may be provided in the product information!