

## SS270025

### FLOW SENSORS • SENSORS FOR WATER

The function of the flow sensor is based on the calorimetric principle. The probe is heated up from the inside a few degrees Celsius in relation to the flow medium, in which it protrudes. When the medium flows, the heat generated in the probe is dissipated through the medium. The temperature within the sensor is measured and compared with the likewise measured medium temperature. From the obtained temperature difference the flow state of each medium can be derived. These sensors are applied in areas such as monitoring of cooling systems, ventilation systems, pump dry running by checking the presence of liquid or gas flows.



#### MECHANICAL DATA

Degree of protection (IP) of evaluation electronics	IP67
Degree of protection (IP) of measuring head	IP67
Depth	118 mm
Flow rate	30 l/min
Flow rate	4 l/min
Height	118 mm
Housing design	Cuboid
Housing material	Plastic
Medium temperature (MAX)	80 °C
Pressure resistance	20 bar
Sensing element material	Stainless steel 1.4571
Type of process connection	G3/4 inch
Width	38 mm

#### ELECTRICAL DATA

Adjustable responding value for flow for liquids	4 m/s ... 4 m/s
IO-Link compatible	No
Max. output current	200 mA
Measuring principle of flow	Calorimetric
No-load current	60 mA
Number of pins	4
Operating voltage	24 V ... 24 V
Readiness delay	15 ms
Residual ripple	10 %
Response time	3000 ms
Reverse polarity protection	Yes
Setting procedure	Manual adjustment
Short-circuit-proof	Yes
Type of analog output	4 mA ... 20 mA
Type of electrical connection	Plug-in connection M12
Voltage type	DC

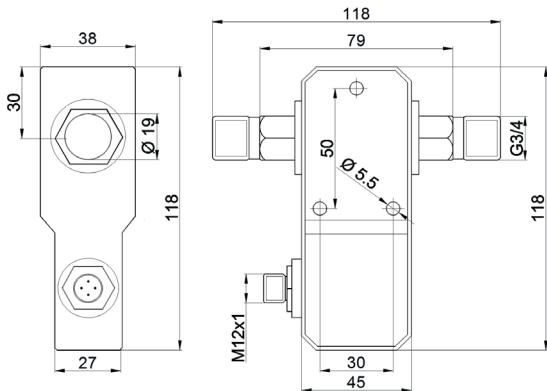
**ELECTRICAL DATA**

With LED display	Yes
------------------	-----

**OTHER DATA**

Cooling water circuits	Yes
Suitable for gases	No
Suitable for liquids	Yes

**DIMENSIONAL DRAWING**



**INSTALLATION**



Mounting / Installation may only be carried out by a qualified electrician!

**DISPOSAL**



**SAFETY WARNINGS**

Before initial operation, please make sure to follow all safety instructions that may be provided in the product information!