

VK001025

CONNECTION TECHNOLOGY • DISTRIBUTION TERMINALS

The wiring of sensors and actors is considerably more comfortable with our sensor distribution box. The individual devices are connected with the distributor via an M8 or M12 cable that is pre-assembled on both sides. By means of the trunk line the effort for laying and wiring the cables can be reduced significantly. The operating mode display provides information about the sensors operating mode (operating voltage, switching state). Thus, troubleshooting is simpler, as an overview about the functioning of the connected periphery is directly given.



MECHANICAL DATA

Cable length	5 m
Degree of protection (IP)	IP67
Fix cable version suitable for trailing chain	Yes
Height	30 mm
Housing material	PBT
Length	25.5 mm
Width	99.2 mm

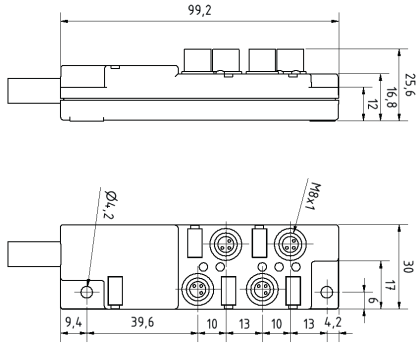
ELECTRICAL DATA

Cable length, configurable	No
Connection for NPN sensors	No
Number of pins of sensor/actuator slots	3
Number of sensor/actuator slots	4
Operating voltage	10 V ... 30 V
Type of branch for trunk line	Fixed-cable distributor / connected trunk line
Type of branches for sensor/actuator cables	M8
Voltage type	DC
With LED display	Yes
With potential separation	No

OTHER DATA

Degree of soiling	3
Operating temperature	-25 °C ... 70 °C

DIMENSIONAL DRAWING



INSTALLATION



Mounting / Installation may only be carried out by a qualified electrician!

DISPOSAL



SAFETY WARNINGS

Before initial operation, please make sure to follow all safety instructions that may be provided in the product information!