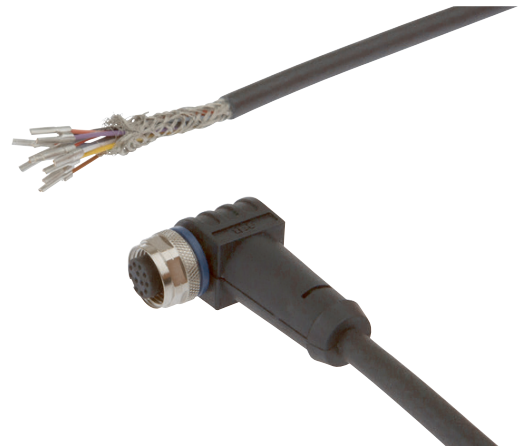


## VK205C21

### CONNECTION TECHNOLOGY • CABLE SOCKETS /CONNECTORS ONE-SIDED PRE-ASSEMBLED

ipf cable sockets are used primarily for establishing the electrical connection of sensors. Their features are characterized by rugged design, the highest protection classes (IP67 | IP68 | IP69K) and, if desired, with 360° shielding. With the features: bus-ready, suitable for use with drag chains and robots, resistance to oil and chemicals, resistance to welding sparks, their resistance to cleaning agents or high-pressure and steam-jet cleaning, the expanded temperature range of up to +230°C, the rapid interconnection technology and special data transmission properties, the cable sockets meet all requirements in automation technology.



#### MECHANICAL DATA

Ambient temperature	-30 °C ... 90 °C
Cable length	2 m
Cable sheath color	Black
Contact body material	CuZn
Contact coating material	Gold
Degree of protection (IP)	IP67
Housing material	TPU
Material of cable sheath	PUR (Polyurethane)
Max. tightening torque	1 Nm
Number of wires	12
Perm. ambient temperature of cable, fixed cable	-40 °C ... 90 °C
Perm. ambient temperature of cable, flexible cable	-25 °C ... 60 °C
Positioning of cable feed, field side	Angled
Seawater-resistant	Yes
Suitable for trailing chain	Yes
Wire assembly	18 x 0.1mm
Wire cross section	0.14 mm <sup>2</sup>

#### ELECTRICAL DATA

Flow resistance	5 mOhm
Line diameter	6 mm
Number of pins	12
Rated current I <sub>n</sub>	1.5 A
Rated voltage	30 V
Shielded	Yes
Type of cable	Multi-core
Type of electrical connection, field side	M12
Type of electrical connection, housing side	Free conductor end
Type of plug-in contact, field side	Female (socket)

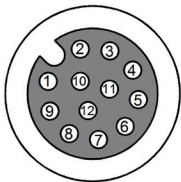
## OPTICAL DATA

Degree of soiling	3
-------------------	---

## OTHER DATA

Acid and alkali-resistant	Yes
Free of LABS	Yes
Halogen-free	Yes
Hydrolysis-proof	Yes
IR-networked	No
Oil and cooling lubricants	Yes
Ozone and UV-resistant	Yes
Recyclable	Yes
RoHs-compliant	Yes
Silicone-free	Yes
Suitable for trailing chain and torsion resistant	Yes
Welding area	Yes

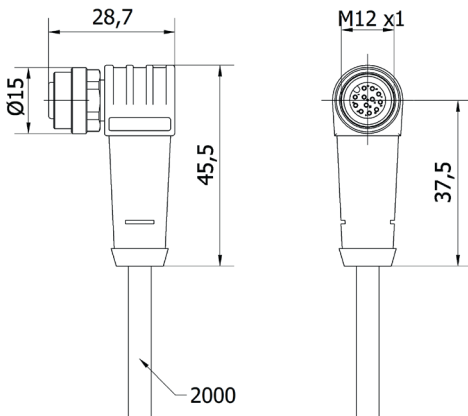
## CONNECTION



**Colors:** 1 = BN (brown), 2 = BU (blue), 3 = WH (white), 4 = GN (green), 5 = PK (pink), 6 = YE (yellow), 7 = BK (black), 8 = GY (gray), 9 = RD (red), 10 = VT (violet), 11 = GY/PK (gray/pink), 12 = RD/BU (red/blue)

**Functions:**

## DIMENSIONAL DRAWING



## INSTALLATION



Mounting / Installation may only be carried out by a qualified electrician!

## DISPOSAL



## SAFETY WARNINGS

Before initial operation, please make sure to follow all safety instructions that may be provided in the product

information!