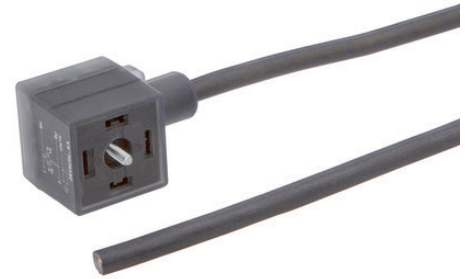


VK50E144

CONNECTION TECHNOLOGY • CABLE SOCKETS /CONNECTORS ONE-SIDED PRE-ASSEMBLED

ipf cable sockets are used primarily for establishing the electrical connection of sensors. Their features are characterized by rugged design, the highest protection classes (IP67 | IP68 | IP69K) and, if desired, with 360° shielding. With the features: bus-ready, suitable for use with drag chains and robots, resistance to oil and chemicals, resistance to welding sparks, their resistance to cleaning agents or high-pressure and steam-jet cleaning, the expanded temperature range of up to +230°C, the rapid interconnection technology and special data transmission properties, the cable sockets meet all requirements in automation technology.



MECHANICAL DATA

Ambient temperature	-30 °C ... 90 °C
Cable length	5 m
Material of cable sheath	PUR (Polyurethane)
Positioning of cable feed, field side	Angled
Positioning of cable feed, housing side	Angled
Suitable for trailing chain	Yes
Wire cross section	0.75 mm ²

ELECTRICAL DATA

Ampacity	4 A
Line diameter	5.7 mm
Nominal supply voltage	24 V
Number of pins	3
Shielded	No
Type of electrical connection, field side	Valve connector type A
Type of electrical connection, housing side	Free conductor end
Type of plug-in contact, field side	Female (socket)

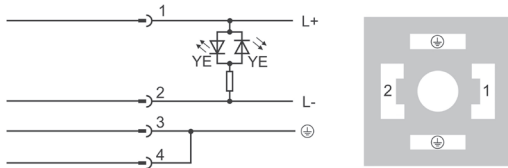
OPTICAL DATA

Degree of soiling	3
-------------------	---

OTHER DATA

Flame resistant	No
Halogen-free	Yes
IR-networked	No
Oil and cooling lubricants	Yes
Ozone and UV-resistant	Yes
Silicone-free	Yes
Welding area	Yes

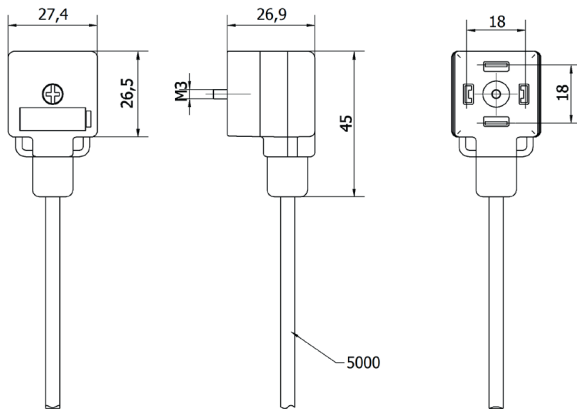
CONNECTION



Colors: 1 = BN (brown), 2 = BU (blue), 3 = GN/YE (green/yellow), 4 = GN/YE (green/yellow)

Functions: 1 = L+, 2 = L-, 3 = PE, 4 = PE

DIMENSIONAL DRAWING



INSTALLATION



Mounting / Installation may only be carried out by a qualified electrician!

DISPOSAL



SAFETY WARNINGS

Before initial operation, please make sure to follow all safety instructions that may be provided in the product information!