

VK98E199

CONNECTION TECHNOLOGY • DISTRIBUTION TERMINALS

The wiring of sensors and actors is considerably more comfortable with our sensor distribution box. The individual devices are connected with the distributor via an M8 or M12 cable that is pre-assembled on both sides. By means of the trunk line the effort for laying and wiring the cables can be reduced significantly. The operating mode display provides information about the sensors operating mode (operating voltage, switching state). Thus, troubleshooting is simpler, as an overview about the functioning of the connected periphery is directly given.



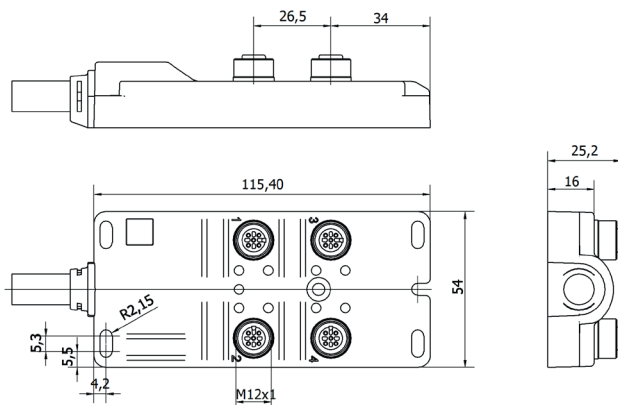
MECHANICAL DATA

Cable length	10 m
Fix cable version suitable for trailing chain	No
Height	25.2 mm
Length	123.5 mm
Width	54 mm

ELECTRICAL DATA

Cable length, configurable	No
Connection for NPN sensors	No
Number of sensor/actuator slots	8
Type of branch for trunk line	Fixed-cable distributor / connected trunk line
Type of branches for sensor/actuator cables	M12
With LED display	Yes
With potential separation	No

DIMENSIONAL DRAWING



INSTALLATION

DISPOSAL



Mounting / Installation may only be carried out by a qualified electrician!



SAFETY WARNINGS

Before initial operation, please make sure to follow all safety instructions that may be provided in the product information!