

VKAE0F21

CONNECTION TECHNOLOGY • CABLE SOCKETS /CONNECTORS TWO-SIDED PRE-ASSEMBLED

ipf cable sockets are used primarily for establishing the electrical connection of sensors. Their features are characterized by rugged design, the highest protection classes (IP67 | IP68 | IP69K) and, if desired, with 360° shielding. With the features: bus-ready, suitable for use with drag chains and robots, resistance to oil and chemicals, resistance to welding sparks, their resistance to cleaning agents or high-pressure and steam-jet cleaning, the expanded temperature range of up to +230°C, the rapid interconnection technology and special data transmission properties, the cable sockets meet all requirements in automation technology.



MECHANICAL DATA

Cable length	15 m
Material of cable sheath	PUR (Polyurethane)
Positioning of cable feed, field side	Angled
Positioning of cable feed, housing side	Straight
Wire cross section	0.34 mm ²

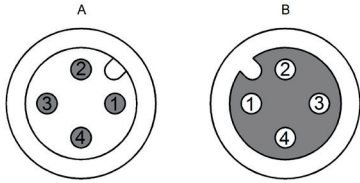
ELECTRICAL DATA

Number of pins	4
Type of electrical connection, field side	M12
Type of electrical connection, housing side	M12
Type of plug-in contact, field side	Female (socket)
Type of plug-in contact, housing side	Male (plug)
With LED display	No

OTHER DATA

Flame resistant	In accordance with EN 60332-2-2
Free of LABS	Yes
Halogen-free	Yes
Hydrolysis-proof	Yes
IR-networked	No
Oil and cooling lubricants	Yes
Ozone and UV-resistant	Yes
RoHs-compliant	Yes
Silicone-free	Yes
Suitable for trailing chain and torsion resistant	Yes
Welding area	Yes

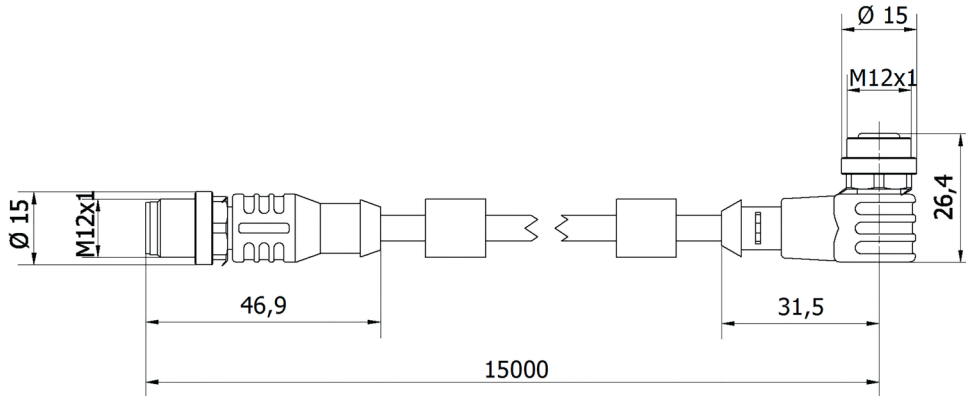
CONNECTION



Colors: A: 1 = BN (brown), 2 = WH (white), 3 = BU (blue), 4 = BK (black)

B: 1 = BN (brown), 2 = WH (white), 3 = BU (blue), 4 = BK (black) **Functions:**

DIMENSIONAL DRAWING



INSTALLATION



Mounting / Installation may only be carried out by a qualified electrician!

DISPOSAL



SAFETY WARNINGS

Before initial operation, please make sure to follow all safety instructions that may be provided in the product information!