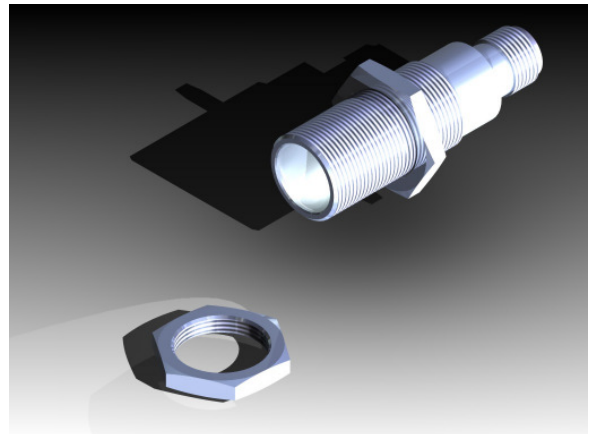


dimensions **M18x1**

LED illumination white light



- ✓ stainless steel housing
- ✓ front screen made of robust Luxacryl
- ✓ easy mounting
- ✓ compact design
- ✓ system of protection IP65

robust housing
M12-connector**discription**

These robust LED illuminations can be used in a variety of applications. Installation can take place directly inside a machine or switch cabinet. The illumination AO000188 is equipped with three LED which have a reflection angle of 22°. Illumination AO000189 has only one LED with a reflection angle of 120° to illuminate a considerably bigger area.

Both illuminations have an M12-connector for connecting to the electric supply. Voltage is supplied via PIN 1 (+24V DC, brown cable socket wire) and PIN 3 (0V, blue cable socket wire). In addition, for switching off or brightness control, there is a control input available.

As the power input is 27 and/or 38mA, the illuminations can be controlled directly via a PLC output.

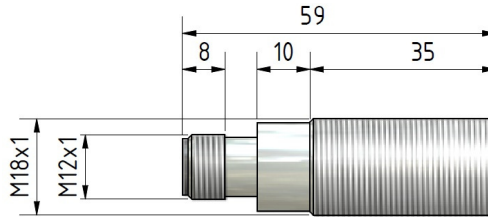
The illumination is switched on in the case of a blank control input or a control input connected with GND. The illumination is switched off from a voltage of +5.5 to +30V DC. In the case of long feed lines (> 2m), the unused control input should be connected with GND.

The luminous color of the illuminations is white.

article-no.
version
connection

AO000188
illumination
M12-connector

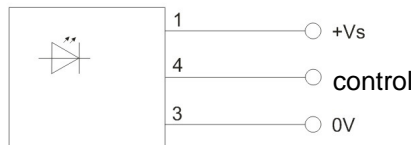
AO000189
illumination
M12-connector



TECHNICAL DATA

operating voltage	10 ... 30V DC	10 ... 30V DC
current consumption	27mA (at 24V DC)	38mA (at 24V DC)
number of LEDs	3	1
angle of reflection beam	22°	120°
dimensions	M18x1	M18x1
length (thread / total)	35mm / 59mm	35mm / 59mm
material (housing)	VA 1.4305	VA 1.4305
material (front screen)	Luxacryl 2h	Luxacryl 2h
operating temperature	-20 ... +50 °C	-20 ... +50 °C
system of protection (EN60529)	IP65	IP65
connection	M12-connector	M12-connector
connection accessories	e.g. VK200025	e.g. VK200025
mounting accessories (quick clip)	AY000051	AY000051
mounting accessories (Uni-bracket)	AY000117	AY000117

pin configuration



1 = braun - brown - brun
3 = blau - blue - bleu
4 = schwarz - black - noir

safety note:

LED lighting systems can produce very intense radiation which can, if used improperly damage the eyes.

The manufacturer cannot be hold responsible for any damage caused by improper use or connection.