

article number **FK98C975**

sensing range non-flush **15mm**

- ✓ integrated evaluation electronics
- ✓ probe made of PTFE
- ✓ process connection: stainless steel
- ✓ short-circuit and reverse polarity protection
- ✓ degree of protection IP67
- ✓ clamp terminals



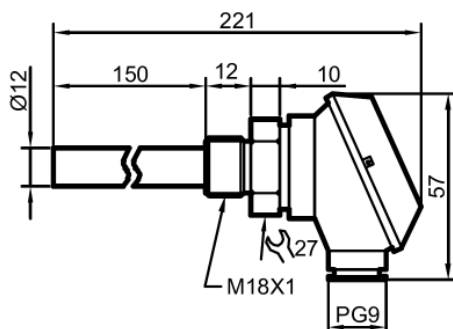
probe length 150mm
sensing range 0 ... 15mm



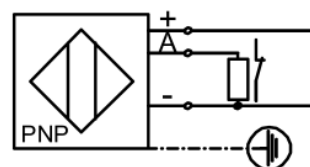
technical data

sensing range	0 ... 15mm
operating voltage U_B	10 ... 35V DC
residual ripple	10%
current consumption (without load)	$\leq 8\text{mA}$
sampling frequency	$\leq 20\text{Hz}$
output circuit	pnp, no
output current (max. load)	250mA
voltage drop (max. load)	1.5V
short-circuit protection	+
reverse polarity protection	+
ambient temperature	-25 ... +125 °C
degree of protection (EN 60529)	IP67
housing material	aluminum
material (process connection)	stainless steel V2A
material (probe)	PTFE
connection	terminal strip in connecting head

dimensional drawing



electric connection



Warning: Never use these devices in applications where the safety of a person depends on their functionality.