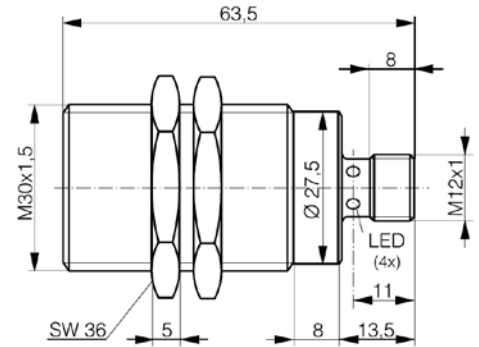


sensors with norm-switching distance

dimensions **M30 x 1.5**

switching distance flush **10mm**

- ✓ robust metal housing
- ✓ integrated amplifier
- ✓ LED-display
- ✓ short-circuit and reverse polarity protected
- ✓ M12-connector



cost-effective
IO-Link

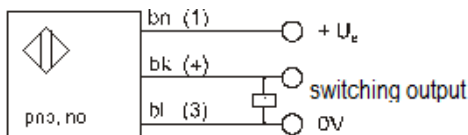


Technical Data

IA300121

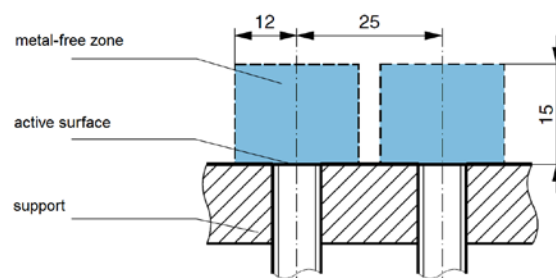
nominal switching distance S_n	10mm
mounting	flush
operating voltage U_B	10 ... 30V DC
voltage drop (max. load)	$\leq 2.0V$
current consumption (w/o load)	$\leq 10mA$
output current (max. load)	200mA
switching output	pnp, no
switching frequency	$\leq 1200kHz$
power-on delay time	$\leq 100ms$
switching hysteresis	$\leq 20\%$ von S_r
EMC-resistance	DIN EN 60947-5-2
temperature drift	$\leq 10\%$
repeatability	0.5mm ($U_B = 20 \dots 30V$ DC, $T_A = 23 \pm 5^\circ C$)
norm trimming plate	30 x 30 x 1mm, FE 360
switching state display	LED yellow
ambient temperature	-25 ... +70°C
protection class (EN 60529)	IP67
material (housing)	nickel-plated brass
material (front cap)	PBTP (Crastin)
connection	M12-connector
connection accessories	e.g. VK200025
mounting accessories	mounting bracket: AY000101

pin configuration



bn=brown, bk=black, bl=blue
terminal marking of cable sockets in brackets

mounting



article-no.: **IA300121**

Warning: Never use these articles in applications where the safety of a person depends on their functionality.