

sensor capacitive und inductive, amplifier

PRODUCT: amplifier with ATEX certificate

DESIGN: 40x70x110

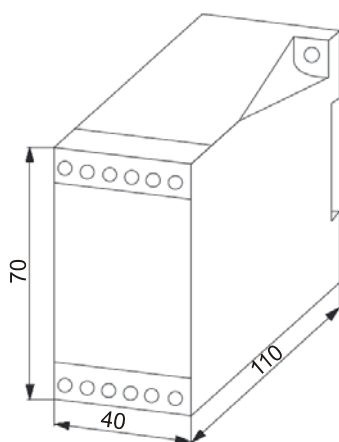
- Dust and gas
- AC- and DC-Version
- LED-Display
- Cable break and short circuit monitoring
- Connection to inductive and capacitive 3-lead sensors



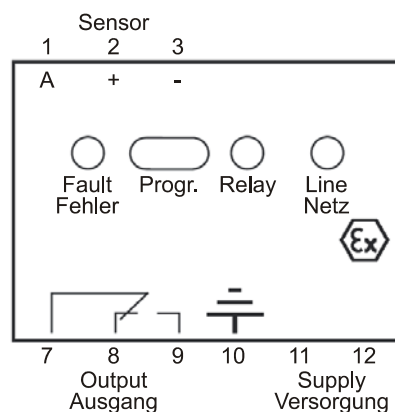
Technical Data

Betriebsspannung	230V AC +15 / -10% or 24V DC ±15%
Ex-marking	II (1) G D [EEx ia] IIC
certificate no.	TÜV 01 ATEX 1663
maximum Values	$U_0 = 12,6V$ $I_0 = 80mA$ $P_0 = 252mW$ $C_0 = 270nF$ $L_0 = 5,4mH$
output	relay, change over
switching voltage max.	250V AC / 24V DC
switching current max.	4A AC / 4A DC
switching power	$\cos \varphi > 0,7$ / L/R < 200ms
ambient temperature	-20 ... +60°C
protection	IP 20 to EN 60529
electrical connection	terminal screws

dimensions



connection



Ordering-Numbers: supply voltage 230V AC: **KV 98 A8 06**
 supply voltage 24V DC: **KV 98 A6 66**