

dimensions 6.2 x 4.3 x 40mm
 T-groove detection range 0 bis 50mm



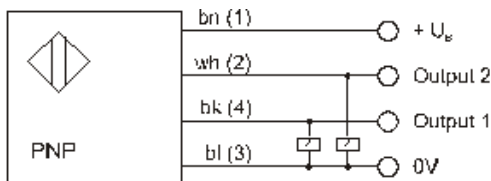
- ✓ insertable from above
- ✓ plastic housing
- ✓ LED-display
- ✓ short-circuit and reverse polarity protected
- ✓ degree of protection IP67

**wear-free cylinder sensor
 2 teachable switching points**



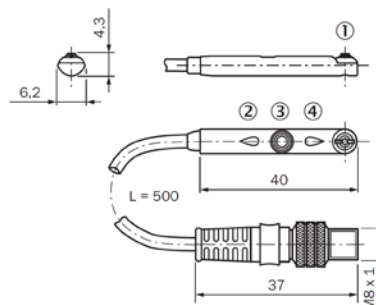
article-no.	MZ070787
Technical Data	
detection range	0 ... 50mm
output signal	2 x pnp
operating voltage	12 ... 30V DC
residual ripple	≤ 10%
current consumption (w/o load)	≤ 15mA
output current (max. load)	≤ 100mA (2 x 50mA)
voltage drop (max. load)	≤ 2.2V DC
hysteresis	typ. 4mm
repeatability	≤ 0.1mT (if U _B and T _A constant)
display (signal)	2 x LED yellow
short-circuit protection	+
reverse polarity protection	+
material (housing)	plastic
dimensions	6.2 x 4.3 x 40mm
temperature (operating)	-20 ... +75°C
protection class (EN 60529)	IP67
shock and vibration resistance	30G, 11ms / 10 ... 55Hz, 1mm
EMC resistance	acc. to EN 60947-5-2
connection	M8-cable connector 0.5m, 4-pin, rotatable thread
connection accessories	e.g. VK200375

connection



bn=brown, wh=white, bk=black, bl=blue
 terminal marking of cable socket ins brackets

dimensional drawing



- 1: fixing screw
- 2: LED 2
- 3: teach button
- 4: LED 1

Warning: Never use these devices in applications where the safety of a person depends on their functionality.