

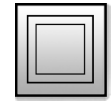
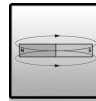
dimensions 6.2x4.3x30.5

T-Groove sensing area: longitudinal margin

- ✓ mountable from the top
- ✓ robust plastic housing
- ✓ status display by LED-
- ✓ short circuit and reverse polarity protection
- ✓ system of protection IP67

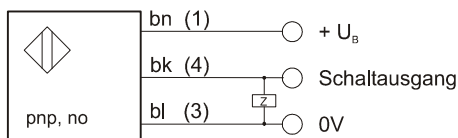


**wearless cylinder switch
plastic housing**



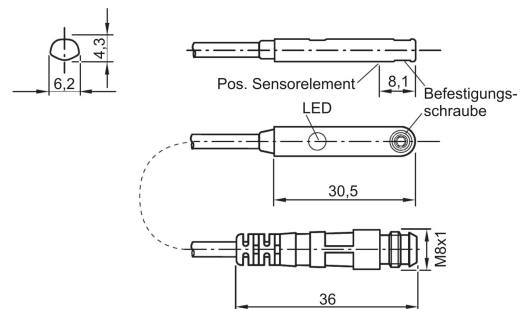
article no.	MZ072187
connection	0.5m M8-cable connector, PUR
TECHNICAL DATA	
sensing area	longitudinal margin
output	pnp, no
operating voltage	10 ... 30V DC
ripple	≤ 10%
current consumption (without load)	≤ 10mA
output current (max. load)	≤ 100mA
voltage drop (max. load)	≤ 2.0V DC
hysteresis	typ. 1.5mm
switching frequency	≤ 5kHz
status display	LED yellow
short circuit protection	+
reverse polarity protection	+
housing material	plastic
dimensions	6.2x4.3x30.5
ambiente temperature	-25 ... +75 °C
system of protection (EN 60529)	IP67
electrical connection	M8-connector, 3pin
suitable cable socket	e.g. VK200075

wiring diagram



bn=braun, bk=schwarz, bl=blau
Klemmenbezeichnung der Kabeldose in Klammern

dim. drawing



Warning: Never use these devices in applications, where the safety of a person depends on their functionality!