

design 3.6 x 2.95 x 19.5mm  
 C-groove detection range 0 to 50mm

- ✓ insertable from above
- ✓ plastic housing
- ✓ LED-display
- ✓ short-circuit and reverse polarity protection
- ✓ degree of protection IP67

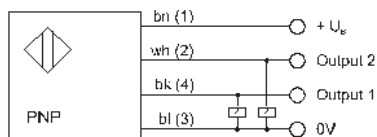


**wear-free cylinder sensor  
 2 teachable switching points**



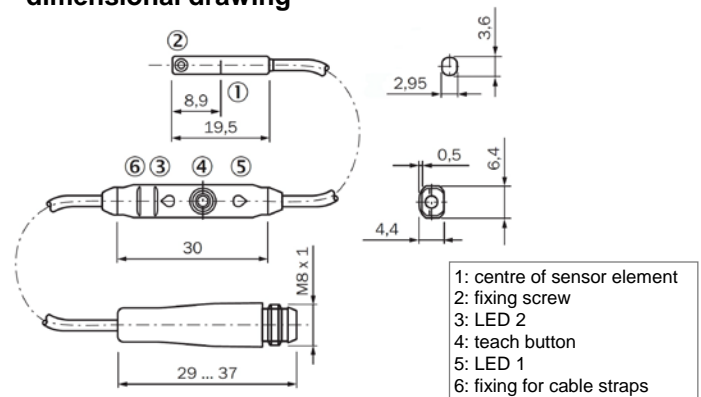
<b>article-no.</b>	<b>MZR40787</b>
<b>TECHNICAL DATA</b>	
detection range	0 ... 50mm
output signal	2 x pnp
operating voltage	12 ... 30V DC
residual ripple	≤ 10%
current consumption (w/o load)	≤ 15mA
output current (max. load)	≤ 100mA (2 x 50mA)
voltage drop (max. load)	≤ 2.2V DC
hysteresis	typ. 4mm
repeatability	≤ 0.1mT (if U <sub>B</sub> and T <sub>A</sub> constant)
display (signal)	2 x LED yellow
short-circuit protection	+
reverse polarity protection	+
material (housing)	plastic
dimensions	3.6 x 2.95 x 19.5mm
temperature (operating)	-20 ... +75°C
degree of protection (EN 60529)	IP67
shock and vibration resistance	30G, 11ms / 10 ... 55Hz, 1mm
EMC resistance	acc. to EN 60947-5-2
connection	M8-cable connector 0.5m, 4-pin, rotatable thread
connection accessories	e.g. <b>VK200375</b>

**pin configuration**



bn=brown, wh=white, bk=black, bl=blue  
 terminal marking of cable sockets in brackets

**dimensional drawing**



- 1: centre of sensor element
- 2: fixing screw
- 3: LED 2
- 4: teach button
- 5: LED 1
- 6: fixing for cable straps

**Warning: Never use these devices in applications where the safety of a person depends on their functionality.**

