

**PR98E166**

## Retro-reflective laser sensor



- / plastic housing
- / high switching frequency
- / short-circuit and reverse polarity protected
- / LED-display
- / M8-connector, 4-pin

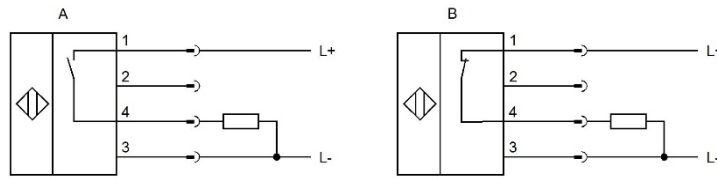
range up to 10m  
laser protection class 1



### Technical data

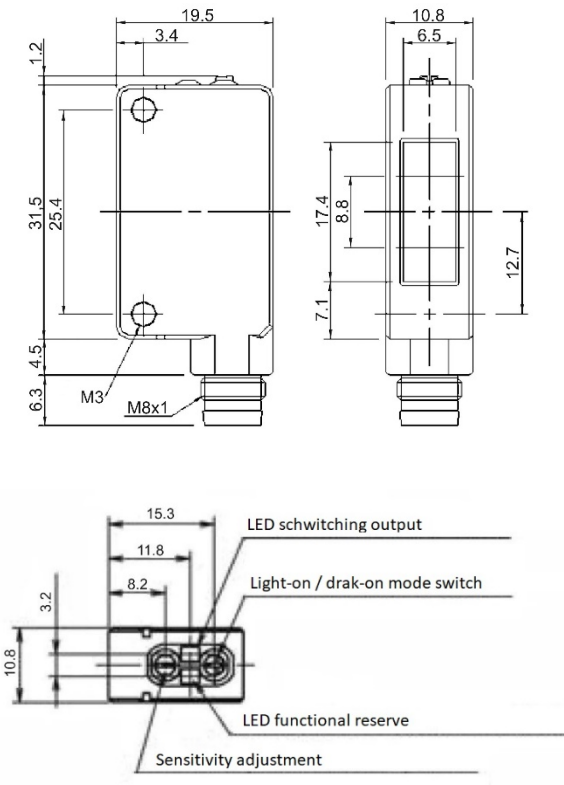
dimensions	11 x 43.5 x 20mm
operating voltage	10 ... 30V DC
residual ripple	< 10%
voltage drop	< 1.5V
output current (max. load)	100mA
current consumption (w/o load)	max. 35mA
response time	250µs
range	0.3 ... 10m (with reflector AO000014)
transmitting element	laser diode, red light
polarization filter	+
min. object size	Ø6mm, opaque, at 3m distance to reflector
output	pnp
output function	NO / NC switchable
adjustment (sensitivity)	trimmer, 270°
switching frequency	2kHz
functional reserve	LED green
switching state display	LED yellow
protection class (EN 60529)	IP67
temperature (operating)	-25 ... +55°C
temperature (storage)	-25 ... +70°C
insulation strength	500V AC, 1min betw. electronics and housing
insulation resistance	>20MΩ, 500V DC betw. electronics and housing
vibration resistance	0.5mm amplitude, 10...55Hz frequency in each axis (EN60088-2-6)
shock resistance	11ms (30G), 6 shocks for each axis (EN60068-2-27)
max. tightening torque	0.5Nm
connection	M8-connector, 4-pin
material (housing)	PBT (LED-coverage PC)
material (front screen)	PMMA
connection accessories	e.g. <b>VK200375</b>
mounting accessories	<b>AY000118</b>

**Connection:**



colors: 1 = BN (brown), 2 = WH (white), 3 = BU (blue), 4 = BK (black)  
 functions A: 1 = L+, 2 = n.c., 3 = L-, 4 = pnp, no  
 functions B: 1 = L+, 2 = n.c., 3 = L-, 4 = pnp, nc

**Dimensional drawing:**



**SAFETY WARNINGS**

Before initial operation, please make sure to follow all safety instructions that may be provided in the product information!

Never use these articles in applications where the safety of a person depends on their functionality.