

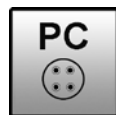
PT64002X / PT64302X

Diffuse reflection laser sensors with triangulation

- / power tracking
- / high resolution
- / rotatable connector
- / externally teachable



analog signal 4 to 20mA / 0 to 10V
optional software



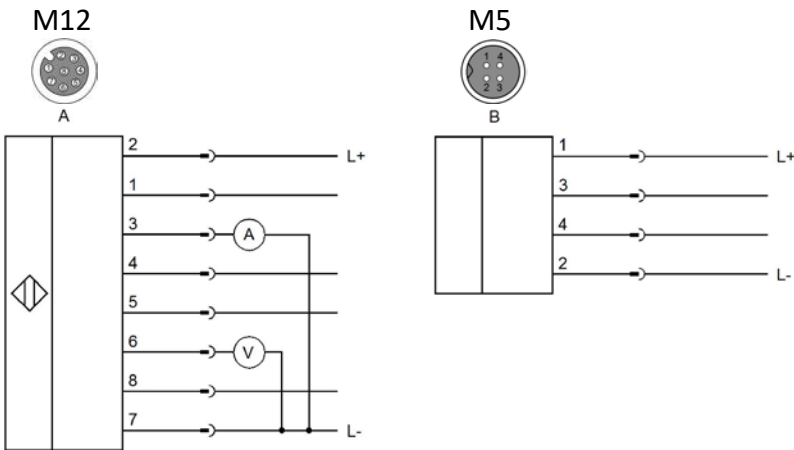
TECHNICAL DATA

| | |
|---|---|
| operating voltage | +24V DC (± 10%) |
| current consumption | 200mA |
| output signal (digital) | 2x PNP/NPN, adjustable with Windows® |
| output current (max. load) | 100mA |
| short-circuit protection | + |
| switching frequency | max. 3.3 kHz |
| output signal (analog) | U-OUT 0 ... 10V / I-OUT 4 ... 20mA note: linearization only active for the activated output |
| linearity deviation | ≤ 0.25% of the measuring range |
| transmitting element | laser diode red |
| wavelength | 670nm |
| interface | RS232, parameterizable with Windows® |
| display (2x tricolor-LED) | 1x tricolor-LED with tolerance band monitoring 1x tricolor-LED power monitoring |
| dimensions | 20.6 x 78 x 68mm |
| material (housing) | aluminum, black anodized |
| material (front screen) | glass |
| temperatur (operating) | -10 ... +50°C |
| temperatur (storage) | -20 ... +85°C |
| protection class (electronic) | IP54 |
| protection class (optics) | IP67 |
| connection | M12-connector, 8-pin, rotatable |
| connection accessories (control) | e.g. VK205A25 |
| connection accessories (parameterization) | e.g. VK207U44 |
| mounting accessories | AP000031 |

| article no. | measuring range[mm] | reference distance[mm] | resolution[μm]* | form of light beam[mm] | laser class |
|-------------|---------------------|------------------------|------------------------------|------------------------|-------------|
| PT640020 | 21 ... 45 | 32.5 | 6 | spot \varnothing 0.3 | 1 |
| PT640021 | 32 ... 70 | 50 | 10 | spot \varnothing 0.3 | 1 |
| PT640022 | 42 ... 120 | 80 | 20 | spot \varnothing 0.3 | 1 |
| PT640023 | 50 ... 200 | 125 | 40 | spot \varnothing 0.3 | 1 |
| PT640024 | 60 ... 300 | 180 | 60 | spot \varnothing 0.3 | 1 |
| PT640025 | 100 ... 600 | 350 | 150 | spot \varnothing 0.3 | 2 |
| PT640026 | 200 ... 1000 | 600 | 250 | spot \varnothing 0.3 | 2 |
| PT643020 | 21 ... 45 | 32.5 | 6 | line 0.3 x 3 | 1 |
| PT643021 | 32 ... 70 | 50 | 10 | line 0.3 x 3 | 1 |
| PT643022 | 42 ... 120 | 80 | 20 | line 0.3 x 3 | 1 |
| PT643023 | 50 ... 200 | 125 | 40 | line 0.3 x 3 | 1 |
| PT643024 | 60 ... 300 | 180 | 60 | line 0.3 x 3 | 2 |
| PT643025 | 100 ... 600 | 350 | 150 | line 0.3 x 3 | 2 |
| PT643026 | 200 ... 1000 | 600 | 250 | line 0.3 x 3 | 2 |

* at reference distance

Connection

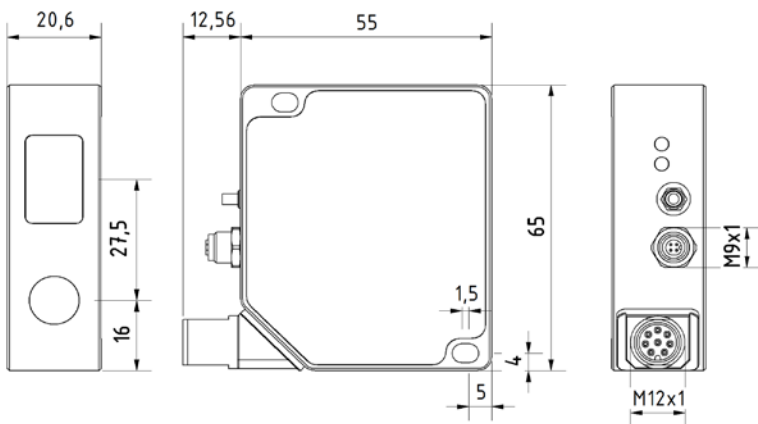


A: M12: 1 = WH (white), 2 = BN (brown), 3 = GN (green), 4 = YE (yellow), 5 = GY (gray), 6 = PK (pink), 7 = BU (blue), 8 = RD (red)

A: M12: 1 = OUT 1, 2 = L+, 3 = 4-20mA, 4 = IN 1 (teach, reset), 5 = Out 0, 6 = Out 0-10V, 7 = L-, 8 = IN 0 (ext. trigger)

B: M5: 1 = L+, 2 = L-, 3 = RxD, 4 = TxD

Dimensional drawing



SAFETY WARNINGS:

Before initial operation, please make sure to follow all safety instructions that may be provided in the product information!

Never use these articles in applications where the safety of a person depends on their functionality.