

optical sensors, laser

PRODUCT: cuboid devices, metal

design: 66 20.4x65x50

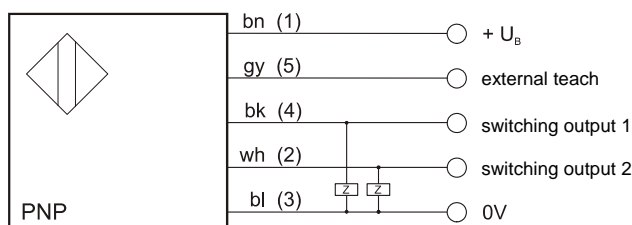
- robust metal housing
- status display by LED
- short-circuit and reverse polarity protection
- adjustable sensitivity via teach-in
- high repeatability
- class 2 laser
- connection with M12-connector



technical data

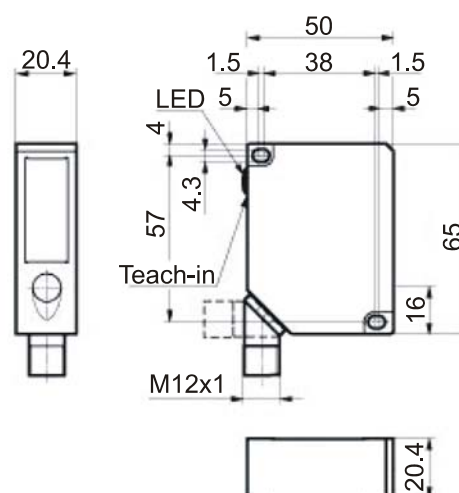
current consumption	< 100mA
voltage drop	< 5V DC
operating voltage	12 ... 28V DC
switching output	2 x pnp, no/nc
output current (switching output 1 / switching output 2)	< 100mA / < 20mA
response time	< 6msec
decay time	< 18msec
sensing range	200 ... 1500mm
light source	laser diode, red (675nm), pulsed
beam diameter	2mm
laser class	2
sensitivity adjustment	teach-in-button or external teach-line
ambient temperature	0 ... +50°C
system of protection (EN 60529)	IP67
housing material	zinc-diecast
electrical connection	M12-connector, 5-pin

electrical connection



bn=brown, wh=white, bk=black, gy= grey, bl= blue
terminal markings of the cable socket in clamps

dimensional drawing



article-no.: **PT 66 A6 10**

fitting cable socket: **e.g. VK 20 56 25**