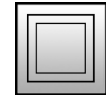


design **25.4 x 66 x 51**

 measuring range **200 ... 4000mm**

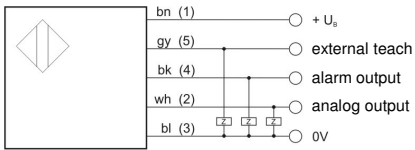

- ✓ color independent measurement up to 4m
- ✓ high number of cycles
- ✓ measuring range limit via teach-in
- ✓ robust aluminium housing
- ✓ glass lens

**teach-in
runtime measurement**



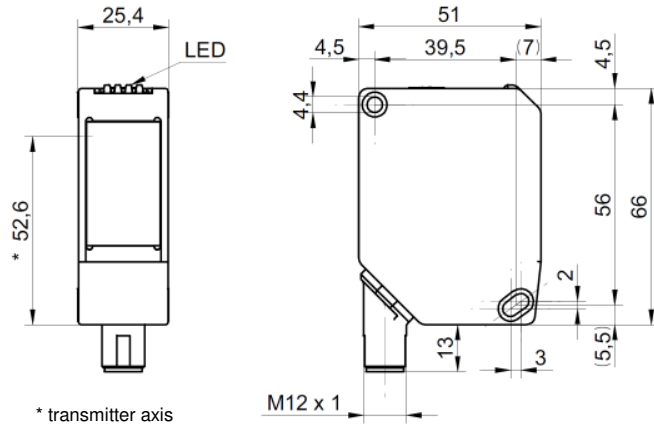
technical data	PT670020	PT670025
measuring range (white / grey / black)	200 ... 4000mm	200 ... 4000mm
setting	teach-in: button / line	teach-in: button / line
distance teach-in-limits	> 100mm	> 100mm
display (operating voltage)	LED green	LED green
display (alarm / soiling)	LED red	LED red
resolution	1.2mm	1.2mm
linearity deviation	± 20mm (0.5 ... 4m) ± 25mm (0.2 ... 4m)	± 20mm (0.5 ... 4m) ± 25mm (0.2 ... 4m)
repeat accuracy	± 5mm	± 5mm
transmitting element	laser diode, red, pulsed, 660nm	laser diode, red, pulsed, 660nm
laser class	2	2
beam shape / diameter	point / 2 ... 15mm	point / 2 ... 15mm
response / decay time	< 10msec	< 10msec
operating voltage	12 ... 28V DC	12 ... 28V DC
current consumption (w/o load)	250mA	250mA
analog output	4 ... 20mA	0 ... 10V
load resistance	< 300Ω	> 100kΩ
alarm output	push-pull, max. 70mA	push-pull, max. 70mA
short-circuit protection	+	+
reverse polarity protection	+	+
housing material	aluminium	aluminium
front screen material	glass	glass
ambient temperature	0 ... +50°C	0 ... +50°C
system of protection (EN 60529)	IP67	IP67
connection	M12-connector 5-pin, rotatable	M12-connector 5-pin, rotatable
connection accessories	e.g. VK205625 , 2m, PUR, straight	e.g. VK205625 , 2m, PUR, straight
mounting accessories	angle bracket AP000021	angle bracket AP000021

wiring diagram



bn= brown, wh = white, bk = black, gy = grey, bl = blue
terminal markings of the cable socket in brackets

dimensional drawing



Caution! Laser radiation!
Do not stare into beam!
Laser Diode
wave length 660nm
max. output power < 1mW
laser class 2

article-no.

PT670020 analog output 4 ... 20mA

PT670025 analog output 0 ...10V

Warning: Never use these devices in applications where the safety of a person depends on their functionality.