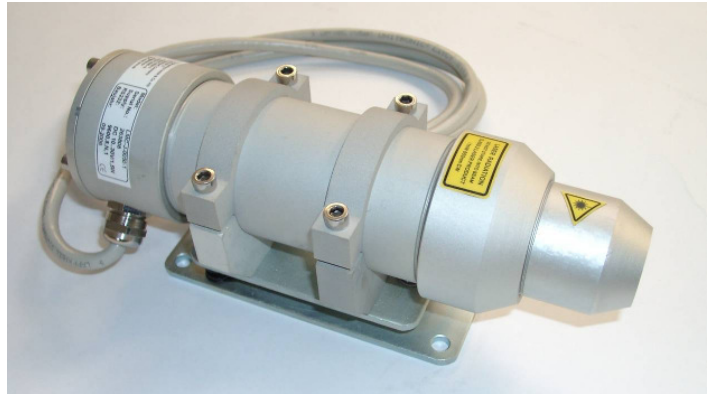


design 255 x 100 x 110mm

dif. refl. sensor sensing range 0.2 ... 30m



- ✓ dust and splash water protected according to IP66
- ✓ glass lens
- ✓ simple alignment by means of visible laser
- ✓ class 2 laser
- ✓ analog and switching output separately programmable
- ✓ measuring range on all natural surfaces 30m, with additional reflectors up to more than 100m
- ✓ resolution of the measured values 0.1mm
- ✓ output of the measurands via data interface RS232/RS422
- ✓ delivery in storage box

applications:

- ▶ control of conveying- and crane systems
- ▶ distance measurement / position recognition
- ▶ measurement of filling levels
- ▶ position control of moving objects

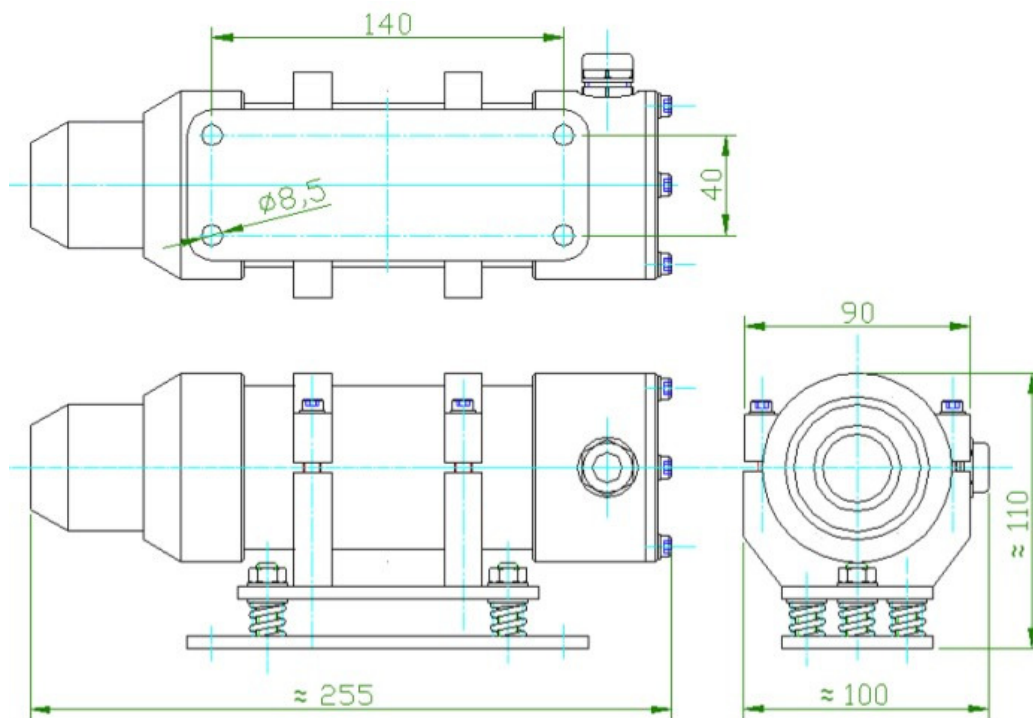
The sensor housing is specially designed for the heavy industry sector and has the protection class IP66. Furthermore, a special dust protection unit is installed in the front-tube which, to a large extent, prevents soiling of the sensor glass. In addition, the unit has optional air flushing and water cooling. For easy, secure installation and adjustment, the sensor is supplied with a spring cushioned 3- point mounted holder. 2 different holders are available for horizontal or vertical installation.

technical data

DC

operating voltage	10 ... 30V DC, reverse polarity protected
measuring range	0.2 ... 30m on all natural surfaces, depending on reflectivity coefficient more than 100m possible
measuring accuracy	+/-3mm at distance range 0.2 ... 30m
resolution of the measured values	0.1mm, free scaleable
measuring rate	typical 5Hz (up to 10Hz possible)
digital switching output	programmable switching threshold and hysteresis, high-side switches up to 0.5A current rating, short-circuit protected
analog output	4 ... 20mA, programmable distance limits
laser divergency	0.6mrad
operating temperature	-10 °C ... +50 °C
connection	interface-fixed cable
power consumption	<0.4W at standby, <1W at distance tracking
data interface	RS232/RS422 switchable
transmitting element	laser diode red, 650nm
system of protection (EN 60529)	IP65

dimensional drawing



options:

water cooling, air purge, heating for temperatures down to -40 °C, 2 switching outputs, customer-specific interfaces

article-no.: **PT98C085**

Warning: Never use these devices in applications where the safety of a person depends on their functionality!