

PTQ80376

Laser sensors

Diffuse reflection sensors with background suppression



- / plastic housing, compact design
- / adjustment via teach-in
- / LED-display with adjustment aid
- / M8-cable socket, 4-pin

laser protection class 1
background suppression

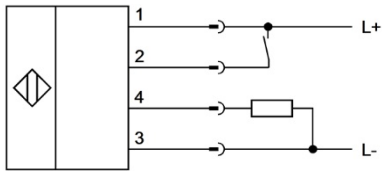


TECHNICAL DATA

dimensions	8.2 x 25.7 x 14.6mm
function	background suppression
sensing range	6 ... 70mm
adjustment range	10 ... 70mm
operating voltage	10 ... 30V DC
current consumption (w/o load)	≤ 12mA
output current (max. load)	≤ 50mA
output signal	PNP, no/nc
response / decay time	≤ 0.5 ms
switching frequency	1kHz
transmitting element (pulsed)	laser diode, red light, pulsed
light spot size	1 x 3mm
wavelength	655nm
short-circuit protection	+
reverse polarity protection	+
display (operating)	LED green
display (signal)	LED yellow
material (housing)	plastic (PUR)
material (front screen)	PMMA
degree of protection (EN60529)	IP 67
temperature (operating)	-20 ... +50°C
connection	M8-connector, 4-pin
connection accessories	e.g. VK200375
mounting accessories (universal holder)	AY000116

Connection

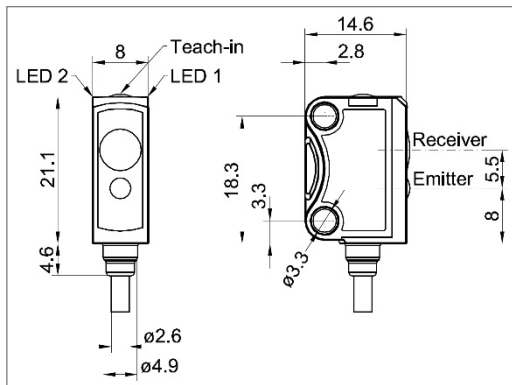
Notes to connect the white wire (PIN 2)



Colors: 1 = BN (brown), 2 = WH (white), 3 = BU (blue), 4 = BK (black)
Functions: 1 = L+, 2 = teach-in, 3 = L-, 4 = PNP, no/nc

Connection with L+: Teach-in in correspondence with the respective information
 Connection with L-: Teach-key locked
 No connection: Normal operation
 During normal operation it is recommended to connect the wire to a free pin.

Dimensional drawing



SAFETY WARNINGS:

Before initial operation, please make sure to follow all safety instructions that may be provided in the product information!

Never use these articles in applications where the safety of a person depends on their functionality.