

Directional Valve Size 10 WL 4.10

Installation dimensions ISO 4401/DIN 24340 A10

Functional Description

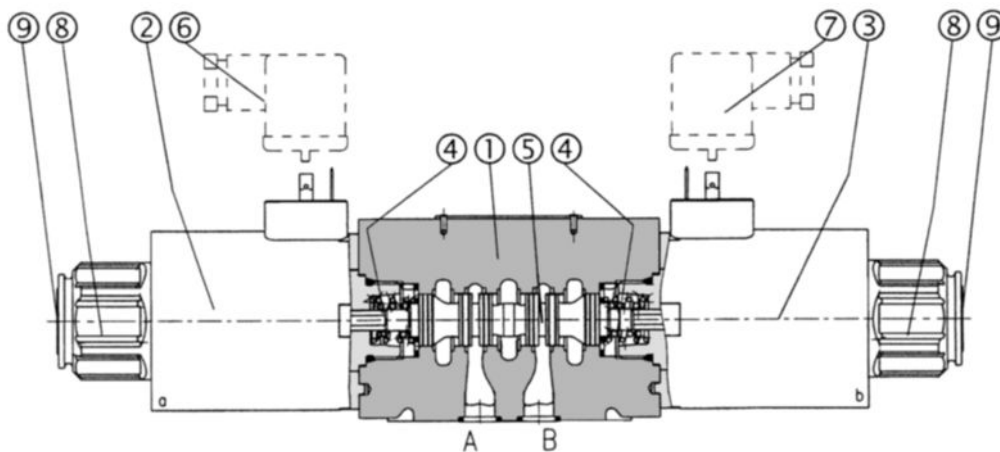
The directional control valves WL 4/10 consist of housing (1), control spool (5), centering springs (4) and operating solenoids (2, 3).

The three-position directional valves are fitted with two solenoids and two springs. The two-position directional valves have one solenoid and one return spring.

The operating solenoids are DC solenoids and are supplied through connectors A, B (6, 7) without rectifiers. For AC supply the solenoids are provided with rectifiers, which are integrated directly into the connectors A, B (6, 7). The connectors do not belong to delivery and must be ordered

separately. By loosening the fixing nut (8), the solenoid can be turned on its axis and fixed in three positions 90° apart. Provided that the pressure in T-port does not exceed 363 psi (25 bar), the spool of the valve can be repositioned by manual override (9).

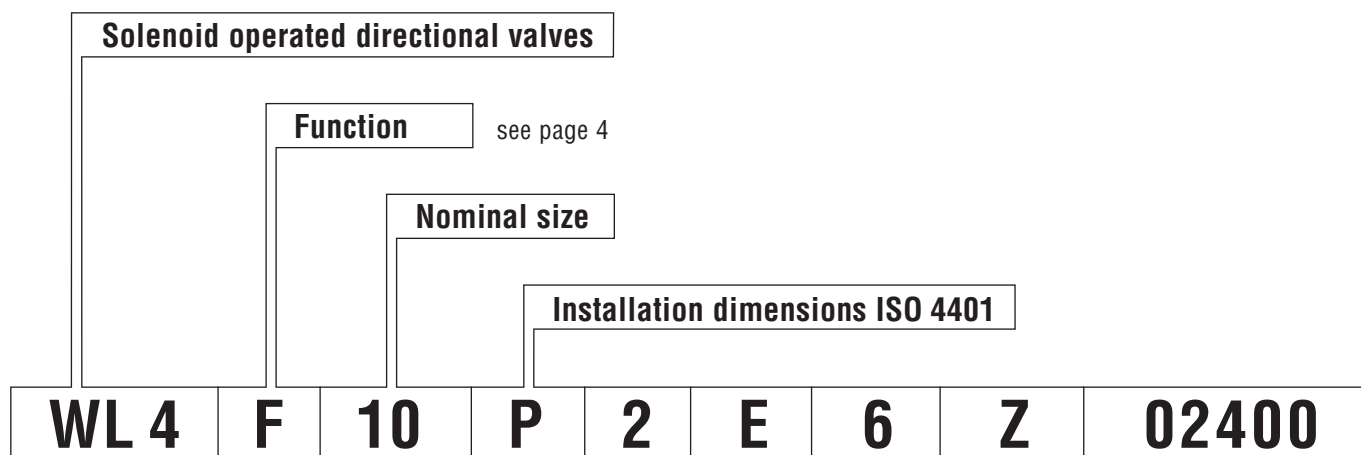
The basic surface treatment of the valve housing (1) is phosphate coated, whereas the operating solenoids (2, 3) are zinc coated.



Technical Data

Nominal size	10	Permissible rated voltage variation	AC: ± 10 % DC: ± 10 %
Maximum flow	see p-Q characteristics	Max. switching frequency	15000 1/h
Max. operating pressure at ports P, A, B	5076 psi (350 bar)	Switching time, on; at v = 166 SUS (35 mm ² /s)	AC: 80 ... 330 ms DC: 50 ... 120 ms
Max. operating pressure at port T	3045 psi (210 bar)	Switching time, off; at v = 166 SUS (35 mm ² /s)	AC: 100 ... 280 ms DC: 30 ... 90 ms
Pressure losses	see Δp-Q characteristics	Duty cycle	100 %
Hydraulic fluid	Hydraulic oils of DIN 51524/25 other Hydraulic fluids on request	Service life	10 ⁷ cycles
Fluid temperature range (NBR)	-22 ... +176 °F (-30 ... +80 °C)	Enclosure type to DIN 40 050	IP 65
Fluid temperature range (FKM)	- 4 ... +176 °F (-20 ... +80 °C)	Weight-valve with 1 Solenoid	3.9 kg
Ambient temperature max.	... +122 °F (... +50 °C)	valve with 2 Solenoids	5.4 kg
Viscosity range	98 ... 1840 SUS (20 ... 400 mm ² /s)	Mounting position	optional
Maximum degree of fluid contamination	Class 21/18/15 to ISO 4406. Therefore we recommend a filter with a retention rate β ₁₀ ≥ 75.		

Type Key



Ordering example

Internal special number

Solenoid

E Coil for solenoid valve equipped with standard plug-in electrical connector acc. to DIN 43 650

EG Coil for solenoid valve with integrated rectifier equipped with standard plug-in electrical connector acc. to DIN 43 650

Spring return

see page 4

Electric connection

DIN 43 650, Protection IP 65, (DIN 40 050)

Y without electrical plug

Z with electrical plug (PG 11)

L with electrical plug and signal lights in conduit adapter (PG 11)

Rated supply voltage of solenoids

01200 12V DC / 3.17 A

02400 24V DC / 1.73 A

12060 120V AC / 0.35 A / 50 (60) Hz

23050 230V AC / 0.20 A / 50 (60) Hz

another voltages on request

Directional valves with damping on request:

T2 = nozzle Ø 0.6

T3 = throttle screw

Directional valves with manual override on request:

N2 = covered with rubber protective.

Note

Seal NBR (without marking)

OPTION FKM = V

Ordering example **V – WL4 F 10 P 2 E 6 Z 02400**

Symbols

Function	Spring return	Symbol	Function	Spring return	Symbol	Function	Spring return	Symbol
F ...6			AP...0*			F ...1		
EN...6 **			AN...0**			BP...1 *		
SE...6			U ...0			BN...1 **		
KF...6			KF...0			EN...1 **		
SF...6			SF...0			SE...1		
AE...6			EN...0**			F ...4		
HF...6			F ...0			AF...1		
FV...6			F ...8			HE...1		
HE...6			SE...0			F ...31		
AF...6			AF...0			AE...1		
			AE...0			HF...1		
			HF...0			SF...1		

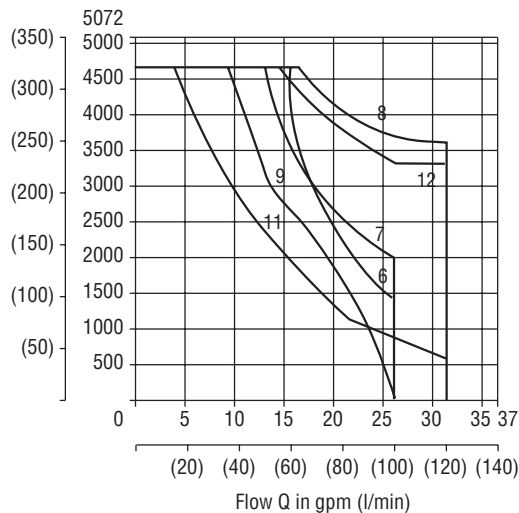
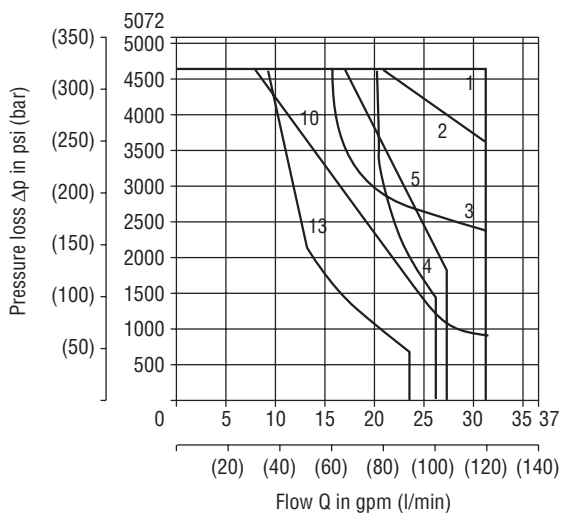
* P $\hat{=}$ Overlap (positive)
 ** N $\hat{=}$ Overlap (negative)

Directional Valve Size 10 Installation dimensions ISO 4401 / DIN 24340 A10

p-Q Characteristics Measured at $v = 166 \text{ SUS } (32 \text{ mm}^2/\text{s}^{-1})$ and $t = 104 \text{ }^\circ\text{F } (40 \text{ }^\circ\text{C})$

Operating limits for maximum hydraulic power transferred by the directional valve

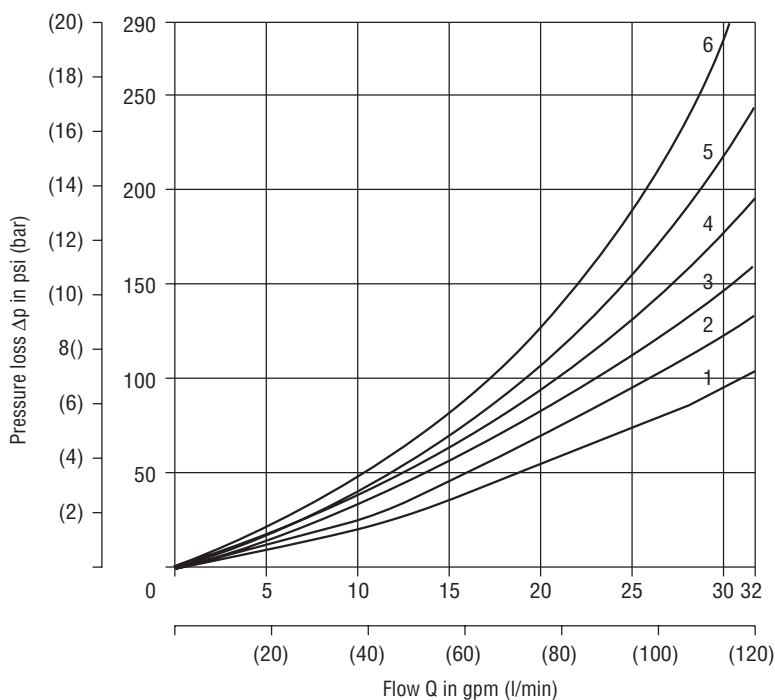
For respective spool type – see Functional Symbols



F ...6	1
F ...0	1
SE ...6	1
SE ...0	1
KF ...6	1
KF ...0	1
SF ...6	5
SF ...0	5
EN ...6	3
EN ...0	3
AP ...0	2
BP ...1	2
HF ...6	4
HF ...0	4
AE ...6	7
AN ...0	2
F ...31	6
U ...0	8

Δp-Q Characteristics Measured at $v = 166 \text{ SUS } (32 \text{ mm}^2/\text{s}^{-1})$ and $t = 104 \text{ }^\circ\text{F } (40 \text{ }^\circ\text{C})$

Pressure loss Δp related to flow rate

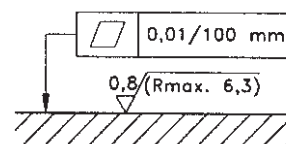
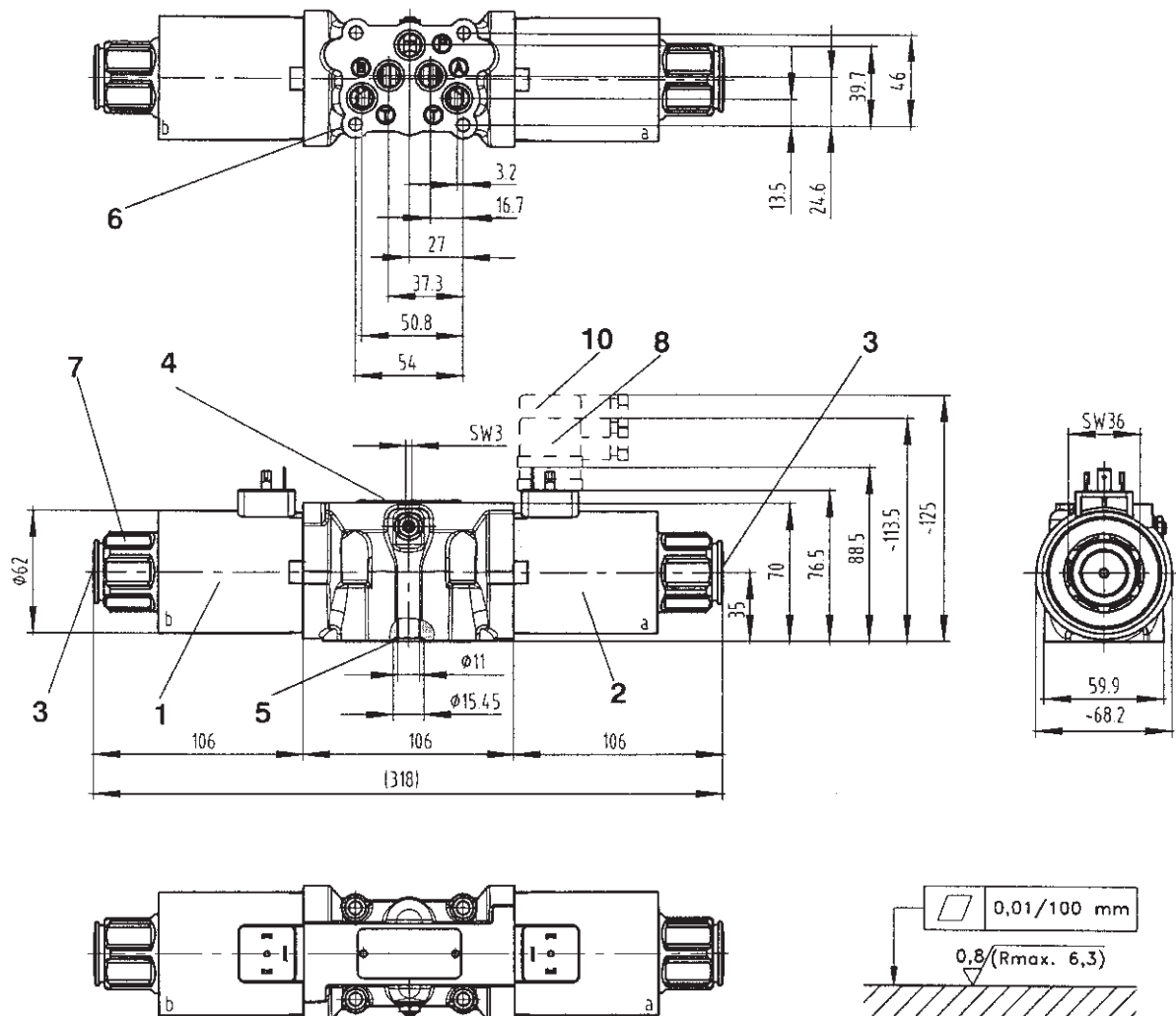


	P-A	P-B	A-T	B-T	P-T
F ...6	1	1	2	2	-
F ...0	-	1	2	-	-
SE ...6	1	1	2	2	1
SE ...0	-	1	2	-	1
KF ...6	1	1	2	2	-
KF ...0	-	1	2	-	-
SF ...6	1	1	2	2	-
SF ...0	-	1	2	-	-
EN ...6	4	3	4	5	1
EN ...0	4	-	-	5	1
AP ...0	1	1	2	2	-
BP ...1	1	1	2	2	-
HF ...6	1	1	2	2	-
HF ...0	-	1	2	-	-
AE ...6	1	1	1	2	2
AN ...0	1	1	1	3	-
F ...31	1	1	2	3	-
U ...0	1	1	-	-	-

Directional Valve Size 10 Installation dimensions ISO 4401 / DIN 24340 A10

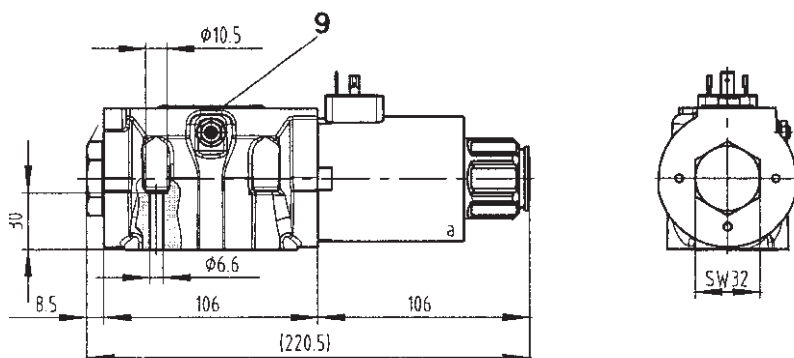
Dimensions (Dimensions in inches and millimetres in brackets)

Valve with two solenoids



Required surface finish to interface.

Valve with one solenoid - a



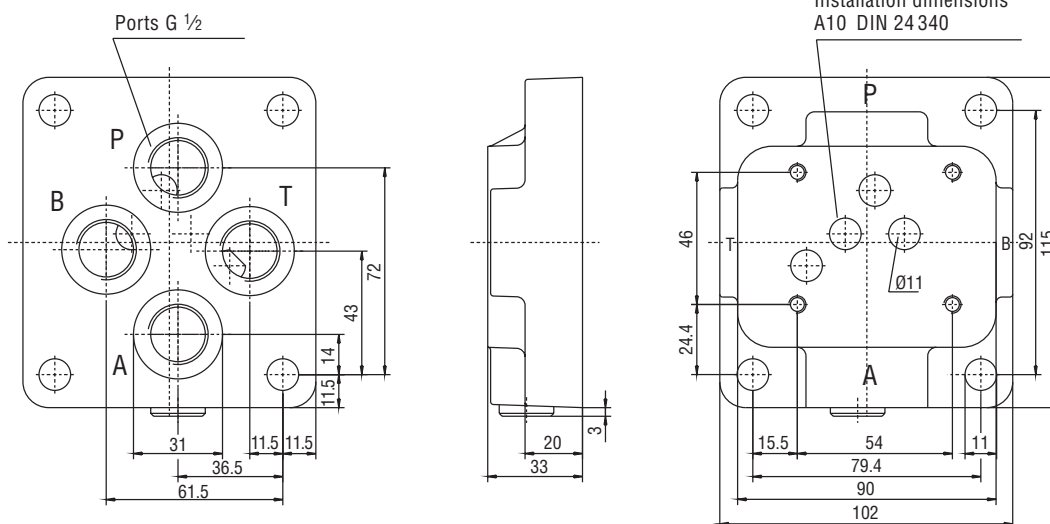
- 1 Solenoid a
- 2 Solenoid b
- 3 Manual override
- 4 Name plate
- 5 Square Ring 12.42 x 1.68 mm (5 pcs) supplied in delivery packet
- 6 4 mounting holes
- 7 Fixing nut of the solenoid
- 8 Connector plug to DIN 43 650
- 9 Distance required to remove plug
- 10 Throttle screw

Type Key

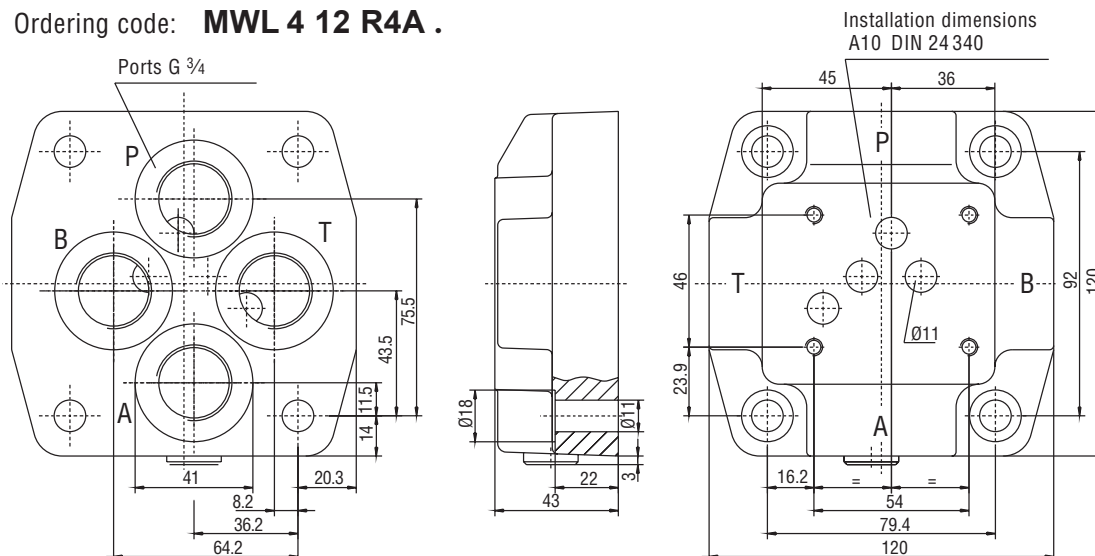
Nominal size		Construction code			
MWL 4		R	A	.	
Ports G 1/2	10				Code no.
Ports G 3/4	12				
		3			
		4			

0	All 4 ports open
1	Port A closed
2	Port B closed
3	Port P closed
4	Ports A+B closed
5	Ports B+P closed
6	Ports A+P closed
7	Ports A+T closed
8	Ports B+T closed
9	Port T closed

Ordering code: **MWL 4 10 R3A .**



Ordering code: **MWL 4 12 R4A .**



Overview of our Complete Program

Transfer Pumps

Transfer pumps for lubricating oil supply equipment, low pressure filling and feed systems, dosing and mixing systems.

Flow Measurement

Gear and turbine flow meters and electronics for volume and flow metering technology in hydraulics, processing and laquering technology.

Mobile Hydraulics

Single and multistage high pressure gear pumps, hydraulic motors and valves for construction machinery, vehicle-mounted machines.

Industrial Hydraulics

Cetop directional control and proportional valves, hydraulic cylinders, pressure, quantity and stop valves for pipe and slab construction, hydraulic accessories for industrial hydraulics (mobile and stationary use).

With our decades of experience, we are at your side, world-wide, for the professional mastery of specific applications and complete solutions in hydraulics and process technology.



WL4.10/e/10.06