



Introducing the D-MAX Enhanced web guide controller from Fife, a ground breaking update to the flagship D-MAX controller.

With the ability to control up to **three guides** from a single unit, the D-MAX Enhanced is an OEM friendly controller that builds on the power of the original D-MAX, a controller praised in the industry, with twice the processing power and features like “dual rail” power, **single, dual or triple drive** options and ISaGRAF-based state machine programmability.



The D-MAX Enhanced now offers power input reverse polarity protection, standard PTP-2 and PTP-1, Device Level Ring (DLR) connectivity, Add On Profile (AOP) for Rockwell Automation® PACs, any language support, daisy-chain connectivity via Ethernet/IP or Profinet and backward compatibility with existing D-MAX controllers. The newly enhanced D-MAX is a major upgrade for operators.

GENERAL SPECIFICATIONS

D-MAXE CONTROLLER

Operating Temperature

0° C to 60° C
(32° F to 140° F)

Communication

Ethernet/IP, Ethernet
Modbus TCP and Profinet

Weight:

1.0 kg (2.2 lbs)

Protection Class

IP54

Mounting Options

Integrated or Remote Mount

Control

50W max input, Drive: 200W
max input at +24 VDC or
400W max input at +48 VDC

Drives per Controller

1 (single), 2 (dual) or 3 (triple)

Max Motor Output

4 amps per drive

Sensor Inputs

4 total

Parallel Port Connectivity

Discrete 6 Inputs, 2 Outputs,
Line Speed and Remote Guide
Point Controller

OI-TS

Dimensions:

Wall mount:
128 x 105 x 38 mm
(5.04 x 4.134 x 1.496 inches)

Panel mount:
128 x 105 x 33 mm
(5.04 x 4.134 x 1.30 inches)

Weight:

600g (1.32 lbs) (OI-TS without
mounting accessories)

Protection Class:

IP64

Display:

4.3" TFT touch-screen display,
480x272 pixels

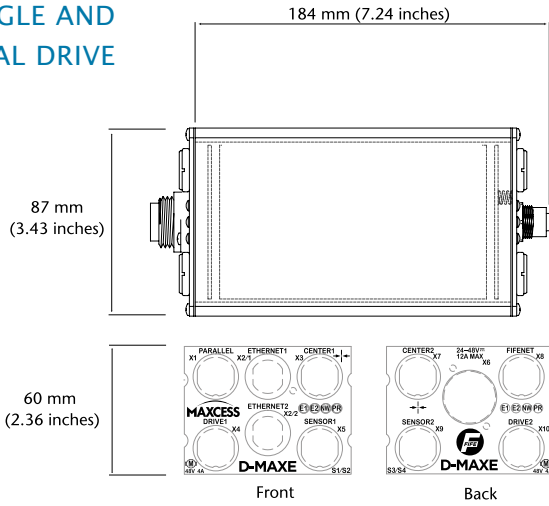
KEY FEATURES

- Power input reverse polarity protection
- Separate power input for control and motor drive
- PTPv2 and PTPv1
- DLR (Device Level Ring)
- AOP for Rockwell Automation® PACs
- Any Language support
- Accessible from any PLC that communicates over ControlNet, DeviceNet, Ethernet Modbus TCP/IP, EtherNet/IP, Profibus, Profinet, CC Link, and CANopen
- Controller available as single, dual or triple-drive
- Two Built-in Ethernet ports
- Backwards compatible with other Fife web guide controllers
- Durable construction for low maintenance and long-lasting reliability
- UL, cUL, and CE certified

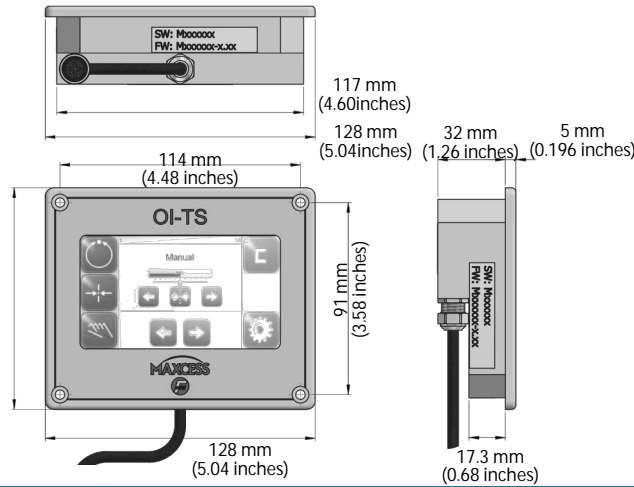
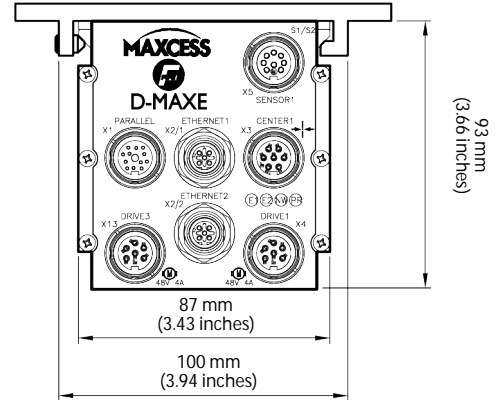
D-MAX ENHANCED WEB GUIDING SYSTEM

DIMENSIONS AND SYSTEM SELECTION

SINGLE AND DUAL DRIVE



TRIPLE DRIVE



CONTROLLER		MOUNTING TYPE		DESCRIPTION
		Integrated (I) or Remote (R)		
D-MAXE-1	I	R		Single-drive controller with Integrated pre-wired configuration or Remote Mounting
D-MAXE-2	I	R		Dual-drive controller with Integrated pre-wired configuration or Remote Mounting
D-MAXE-3	I	R		Triple-drive controller with Integrated pre-wired configuration or Remote Mounting
OPERATOR INTERFACE		MOUNTING TYPE		DESCRIPTION
		Bezel (I) or Wall (W)		
OI-TS	B	W		Touch screen Operator Interface for single or dual-drive configuration Bezel or Wall mount bracket
OI-N	B	W		Networking Operator Interface for single or dual-drive configuration. Bezel or Wall mount bracket complete with Ethernet switch for multi-guide operation and CompactCom port for Industrial Protocol (IP) connectivity



NORTH, CENTRAL AND SOUTH AMERICA
 Tel +1.405.755.1600
 Fax +1.405.755.8425
 sales@maxcessintl.com
 www.maxcessintl.com

INDIA
 Tel +91.22.27602633
 Fax +91.22.27602634
 india@maxcessintl.com
 www.maxcess.in

EUROPE, MIDDLE EAST AND AFRICA
 Tel +49.6195.7002.0
 Fax +49.6195.7002.933
 sales@maxcess.eu
 www.maxcess.eu

JAPAN
 Tel +81.43.421.1622
 Fax +81.43.421.2895
 japan@maxcessintl.com
 www.maxcess.jp

CHINA
 Tel +86.756.881.9398
 Fax +86.756.881.9393
 info@maxcessintl.com.cn
 www.maxcessintl.com.cn

KOREA, TAIWAN AND SE ASIA
 asia@maxcessintl.com
 maxcessintl.asia