

# FIFE-200 WEB GUIDING SYSTEM



The FIFE-200 is a small web guide and controller designed for continuous use that consists of an offset pivot guide and sensor, a controller capable of controlling four guides and sensors, and an operator interface. With an IP40 ingress protection rating and four different roll face and guide spans, as well as two different roller diameters, it is ideal for small webs and battery guiding applications.



The FIFE-200 utilizes a color touch screen interface that controls the position of the web by monitoring the web position with the sensor mounted in the web path and driving an actuator connected to the guide assembly to steer the web to the desired position. In addition, it is capable of Servo-Center mode for centering the guide while threading the web.

## GENERAL SPECIFICATIONS

### Operating Temperature

0° to 50° C (32° to 122° F)

### Certifications

TUV Rheinland of North America to UL61010-1 and

CAN/CSA-C22.2 No. 61010-1 and CB Certificate to IEC61010-1

CE

RoHS compliant

IP40 Protection Class

### Maximum cable length

Power cable- 5 m (16.4 ft)

Motor cable- 5 m (16.4 ft)

Sensors- 5 m (16.4 ft)

Digital input/output port- 10 m (32.8 ft)

Operator interface-

20 m (65.6 ft)

### Maximum web tension

49 N (11 lbs)

### Correction speed

Size 1 - 61 mm/s (2.4 in/s)

Size 2 - 67 mm/s (2.6 in/s)

Size 3 - 76 mm/s (3.0 in/s)

Size 4 - 81 mm/s (3.2 in/s)

### Correction Range

+/- 12 mm (0.47 in)

+/- 10 mm (0.39 in)

### Weight

Size 1 - 2.5 kg (5.5 lb)

Size 2 - 3.6 kg (8.0 lbs)

Size 3 - 4.4 kg (9.8 lb)

Size 4 - 5.7 kg (12.65 lb)

### Motor

24 VDC brushless

### Input Voltage Range

22.5 to 26.4 VDC

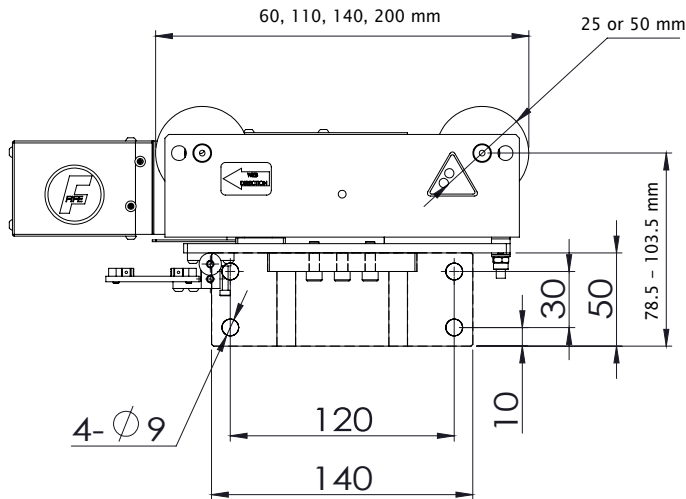
## KEY FEATURES

- Four standard guide sizes
  - Size 1 - 60 x 60 mm
  - Size 2 - 110 x 100 mm
  - Size 3 - 140 x 140 mm
  - Size 4 - 200 x 200 mm
- Low profile and low tension guiding system
- Touch screen operator interface
- One operator interface can interface with up to four FIFE-200 units
- 16 languages
- Brushless motor
- Rubber cork tape, hard coat anodize and plasma roller coatings available
- Includes fiber-optic sensor
- Supports SE-11, SE-22, SE-44R, SE-31 and SE-26A sensors (not mounted to guide)

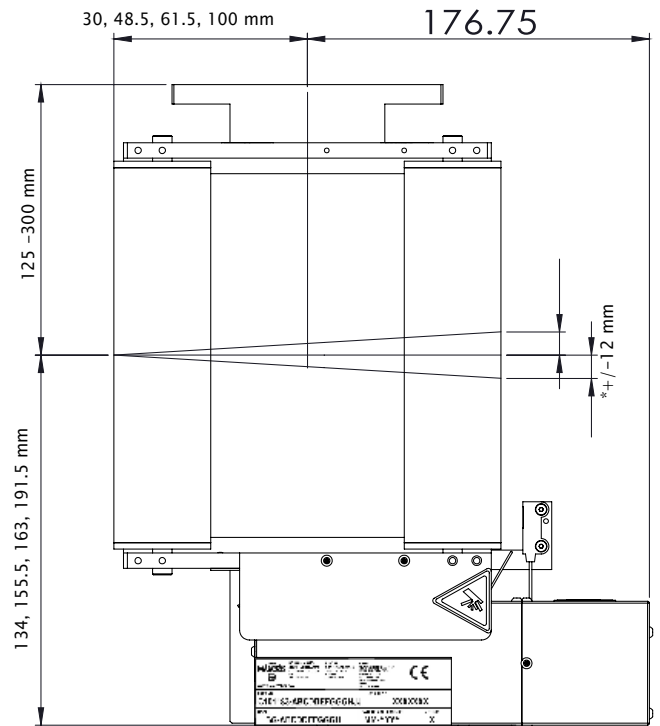
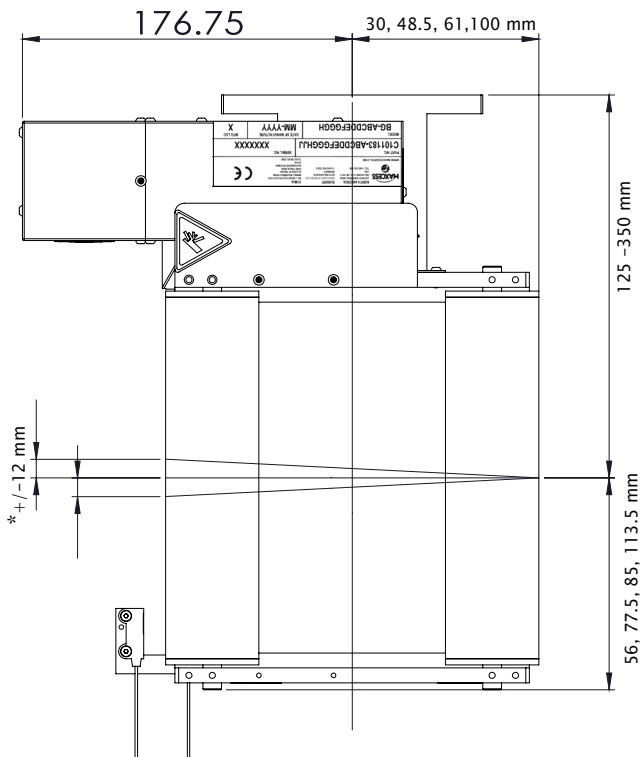
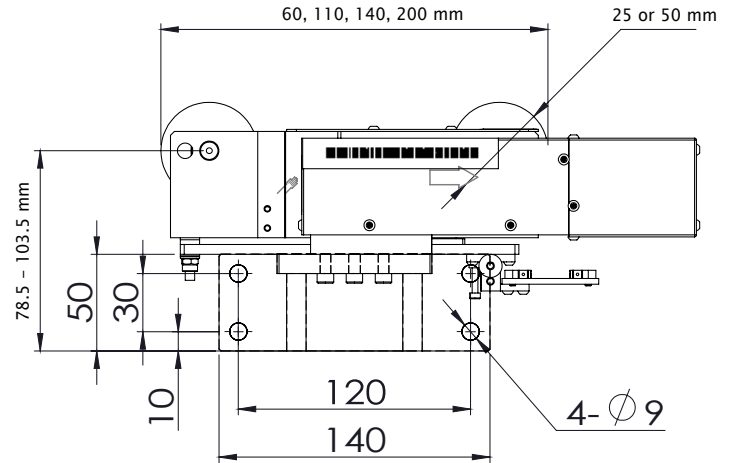
# FIFE-200 WEB GUIDING SYSTEM

## DIMENSIONS

INSIDE TYPE



OUTSIDE TYPE



\* Size 1 (60 x 60 mm) has +/- 10 mm correction range.

# MAXCESS®

WEBEX  TIDLAND 

### NORTH, CENTRAL AND SOUTH AMERICA

Tel +1.405.755.1600  
Fax +1.405.755.8425  
sales@maxcessintl.com  
www.maxcessintl.com

### INDIA

Tel +91.22.27602633  
Fax +91.22.27602634  
india@maxcessintl.com  
www.maxcess.in

### EUROPE, MIDDLE EAST AND AFRICA

Tel +49.6195.7002.0  
Fax +49.6195.7002.933  
sales@maxcess.eu  
www.maxcess.eu

### JAPAN

Tel +81.43.421.1622  
Fax +81.43.421.2895  
japan@maxcessintl.com  
www.maxcess.jp

### CHINA

Tel +86.756.881.9398  
Fax +86.756.881.9393  
info@maxcessintl.com.cn  
www.maxcessintl.com.cn

### KOREA, TAIWAN AND SE ASIA

asia@maxcessintl.com  
www.maxcessintl.asia