

NOTES:

1. The SP-3, SP-4, SP-5, SP-11, and SP-12 sensors differ only as to the width and type of sensing band, as shown in the table below. The SP-11 and SP-12 sensors are anticlogging versions of SP-3 and SP-4 sensors, respectively. The SP-11 and SP-12 sensors are identical to the SP-3 and SP-4 sensors except for the signal recovery inserts.

SENSOR*	PROPORTIONAL BAND WIDTH IN INCHES (MM)	APPROXIMATE AIR CONSUMPTION IN CFM (L/S)
SP-3 SP-11	0.300 (7.62)	1.5 (0.71)
SP-4 SP-12	0.500 (12.7)	3.0 (1.42)
SP-5	0.300 (7.62) WITH 0.050 (1.27) DEADBAND	1.5 (0.71)

* THE SENSOR MODEL NUMBER IS SHOWN ON THE MODEL NUMBER TAG.

2. These sensors do not interchange directly with other Fife Air-Flow sensors. Substitution of SP-3, SP-5, or SP-11 sensors in place of other 0.312 inch (7.94 mm) gap sensors requires changing the servo valve orifice. Substituting the SP-4 or SP-12

sensors may require a change in the air pump size and/or the servo valve orifice.

3. All sensor bodies are made from black (gray on metric version), 30% glass-filled nylon. The air supply and signal recovery inserts are natural unfilled nylon. The model number tag is made from aluminum sheet, and the retaining screws are plated steel. The nylon is resistant to most solvents, such as esters, ketones, alcohols, and hydrocarbons, as well as alkali and salt solutions. It is attacked by phenols, formic acid, strong mineral agents, and strong oxidizing agents. The maximum recommended service temperature is 180° F (82° C).

4. All mounting brackets illustrated (see page 2) are to be supported on 1 inch (25 mm) or 1-1/4 inch (32 mm) square bars. The maximum length for a nonmovable bar is 72 inches (1,829 mm) for 1 inch (25 mm) square bar, and 96 inches (2,438 mm) for 1-1/4 inch (32 mm) square bar.

5. The standard SP-4 and SP-12 sensors have a supply port of 1/4-18 NPT as shown above. For fixed-sensor center guiding with edge guide option, they have a 3/8-18 NPT supply port (see page 2).

6. For air pump sizes and air pressure settings, see Fife Power Unit Specification Figure Sheet.

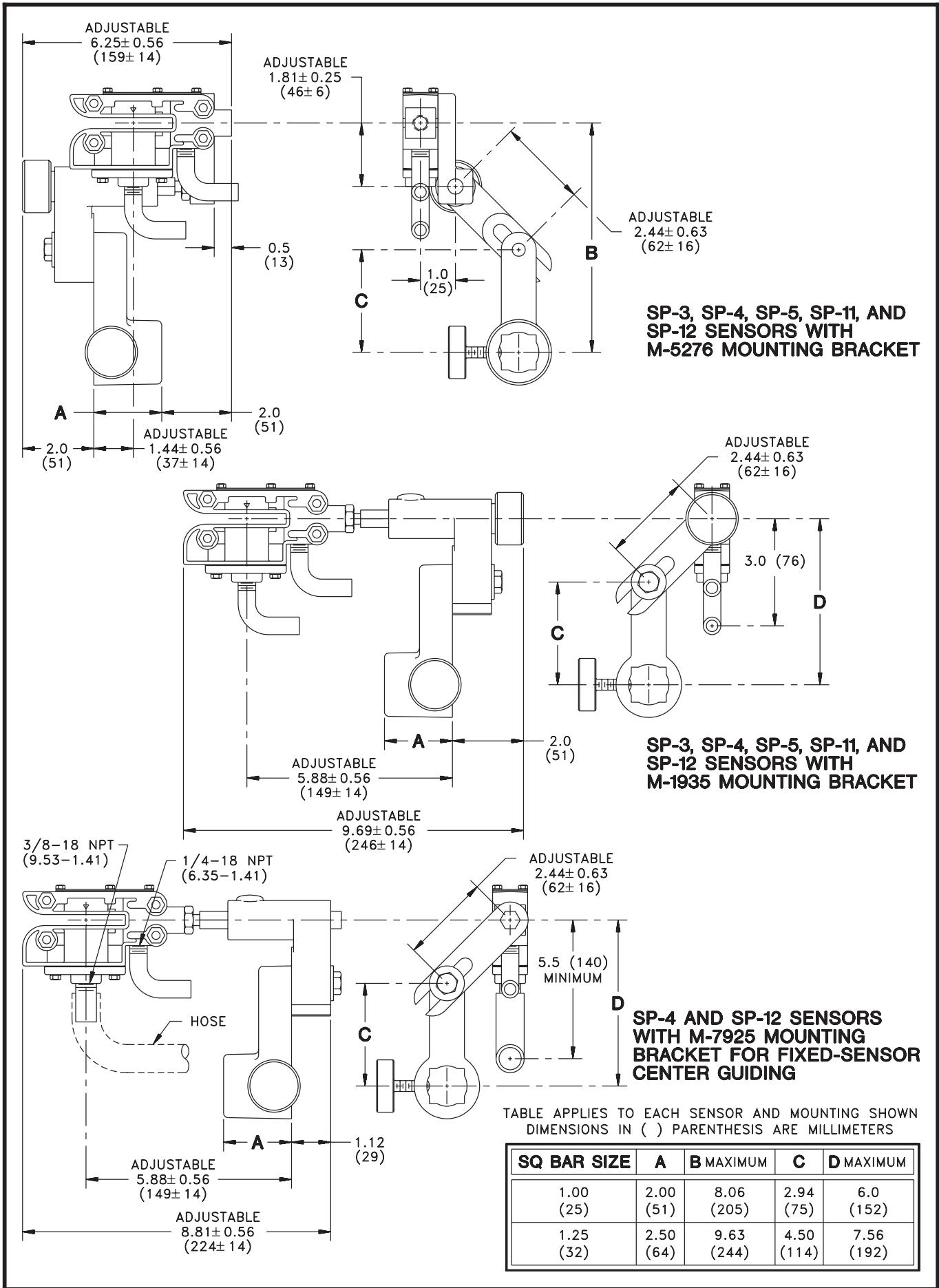


FIG. 1-372
PAGE 2 OF 2

MOUNTING DIMENSIONS, WITH MOUNTING BRACKET
SP-3, SP-4, SP-5, SP-11, AND SP-12 SENSORS

REV DATE 05-14-91