

# SIMPLEX H5530F SERIES ACTUATORS

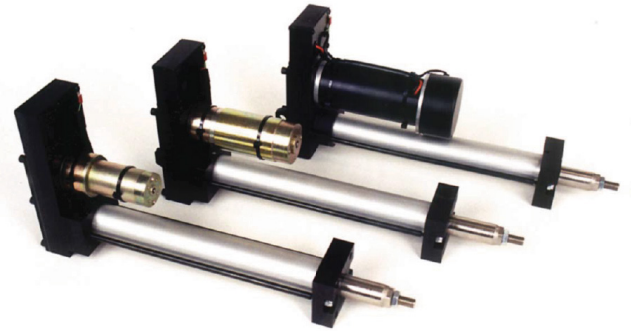


The H5530F series is the newest addition to the SimPlex line of electro-mechanical actuators. Three thrust options are available, 150 lb, 300 lb, and 500 lb. The 150 lb, F1 actuator is bolt interchangeable with, and replaces the obsolete H5530D and H5530E actuators.

The H5530F family of actuators are available with the H3184 servo center which mounts directly to the actuator, and is adjustable through most of the usable stroke.

The F series was designed to prevent backdriving up to the rated thrust of the actuator.

F1 (150 lb thrust) and F3 (300 lb thrust) are compatible with SimPlex H6416 and H6421 controllers. The more powerful F5 (500 lb thrust) is compatible with the H6425 controller or H6340 drive.



## SPECIFICATIONS

### Power:

F1 and F3 Supplied by H6416 or H6421 controller

F5 Supplied by H6425 controller or H6340 drive

### Side Load Capability:

25 lb (Note: The actuator is intended for axial loading only.)

### Backdrive Force:

Each actuator model will hold rated thrust from table above.

F5 comes standard with a brake (energized for "release").

F1 and F3 do not use a brake.

### Operating Temperature:

32-120 F (0-50 C)

### Weight:

12-20 lb

### Mounting:

Actuator includes pins as shown. For clevis brackets, order separately as follows:

- H5530-401 for 7/16" dia. pin

- H0184-38-080 for 1/2" dia. pin

### Electrical Cables:

(Order Separately)

F1 and F3

- H6415-5530F-07 7' cable

- H6415-5530F-15 15' cable

- H6415-ACTEXT-15 15' extension cable

F5

- H6425-5530F-07 7' cable

- H6425-5530F-15 15' cable

- H6425-ACTEXT-15 15' extension cable

## KEY FEATURES

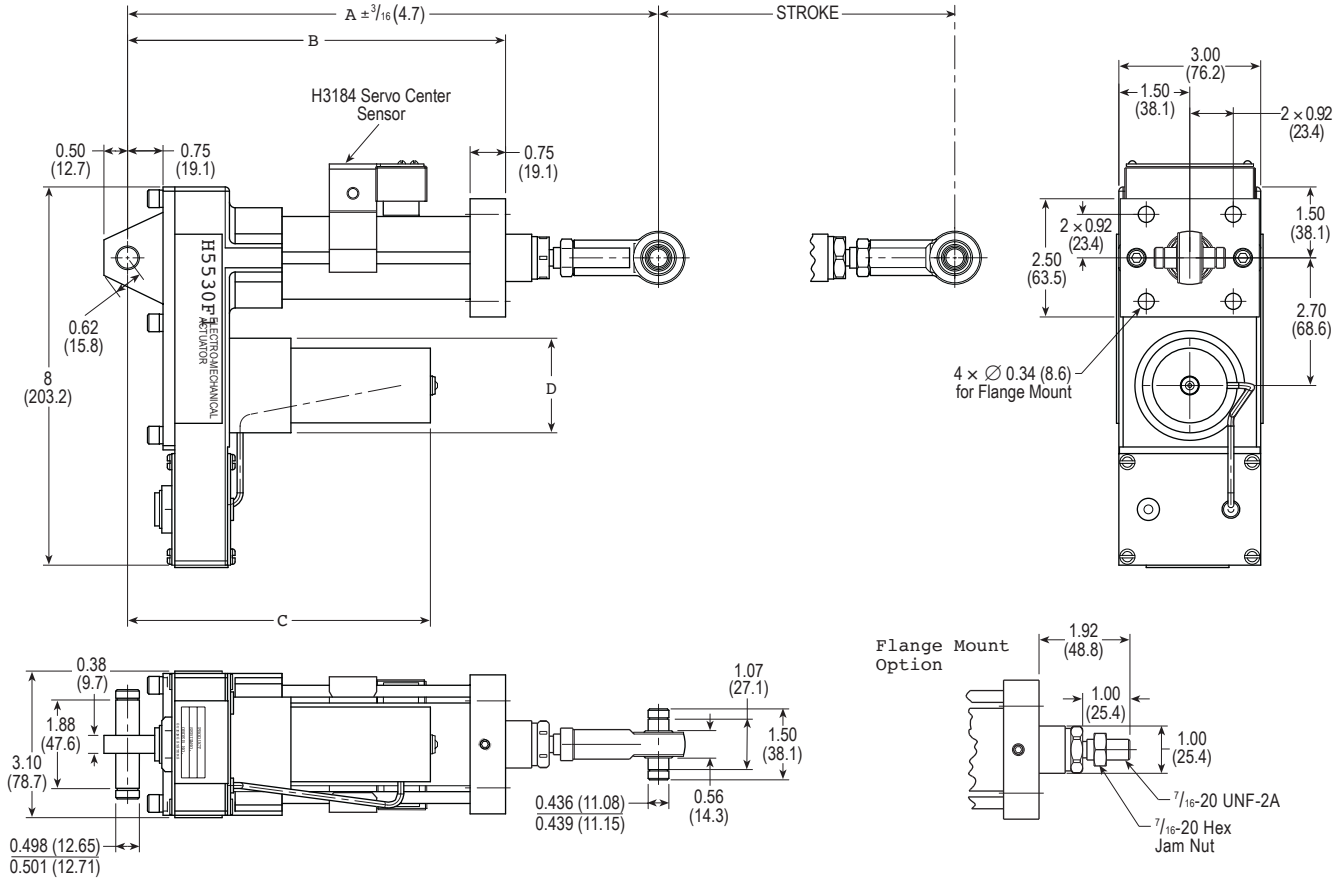
- Smooth linear ball screw actuation
- Compact, low profile units
- Reliable, maintenance-free operation
- Clean oil-free operation
- 150 lb, 300 lb, and 500 lb thrust rated models (see Specifications)
- Optional adjustable servo center
- Low backlash for optimum performance
- Universal design configured for flange or in-line mounting

# DIMENSIONS

Inches (mm)

## H3184 SERVO CENTER NOTES:

1. The H3184 Sensor mounts to the side opposite the motor.
2. Position the H3184 Sensor along the length of the actuator as required to obtain desired centering position.
3. The H3184 Sensor cable is wired into the integral wiring compartment.
4. A 1.5" (38.1) clearance from steel framework is required for normal operation of the H3184 Sensor



Part Number	A	B	C	D	Stroke
<b>H5530F1-0300</b>	11.23 (285.2)	8.00 (203.2)	6.41 (162.8)	2.00 (50.8)	3 (76.2)
<b>H5530F1-0500</b>	13.23 (336.0)	10.00 (254.0)	6.41 (162.8)	2.00 (50.8)	5 (127)
<b>H5530F3-0300</b>	11.23 (285.2)	8.00 (203.2)	7.54 (191.5)	2.12 (53.8)	3 (76.2)
<b>H5530F3-0500</b>	13.23 (336.0)	10.00 (254.0)	7.54 (191.5)	2.12 (53.8)	5 (127)

## NOTES (FOR ALL STROKES):

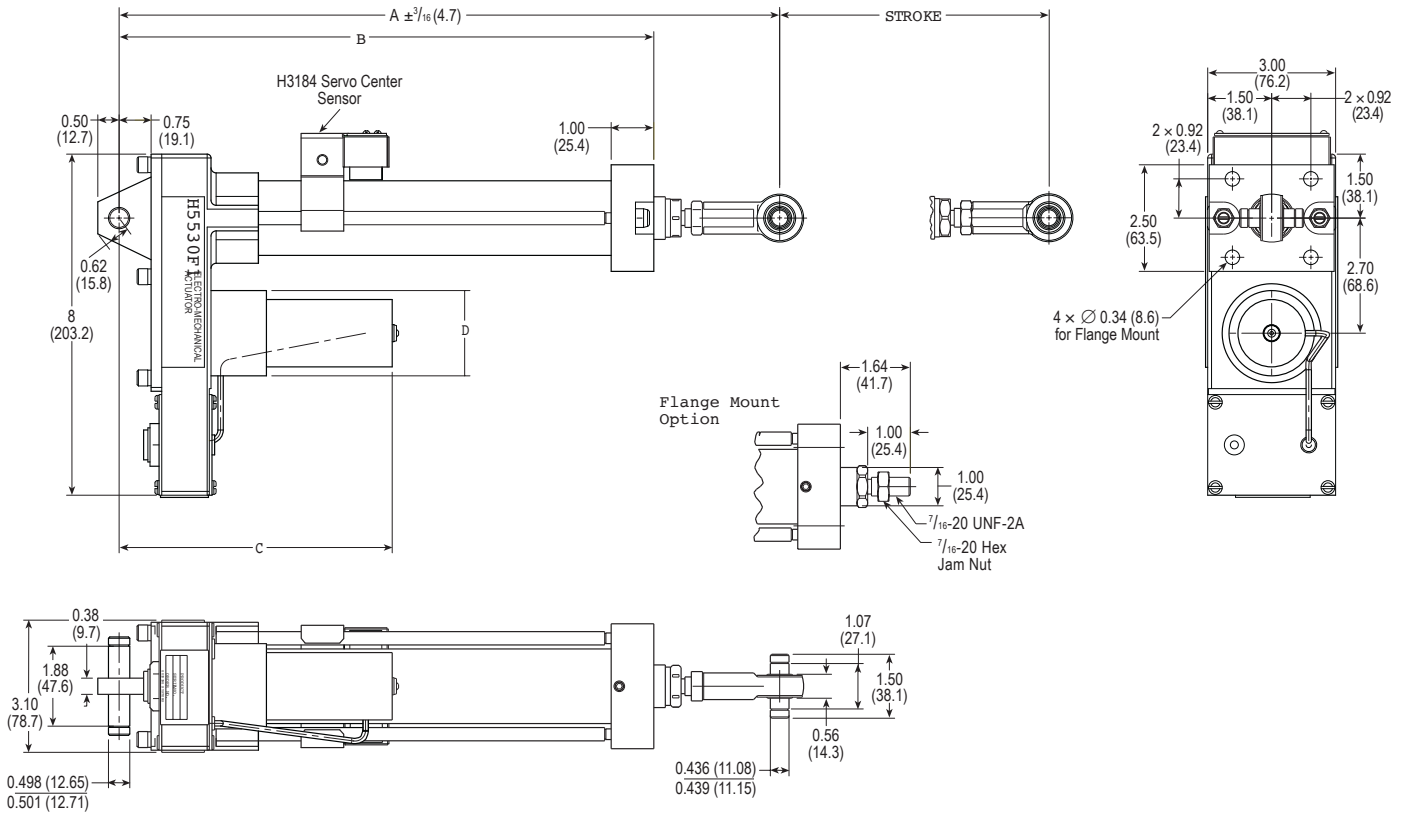
1. Attachment to actuated device must provide anti-rotation torque.
2. For flange mount option, remove rod eye. Reference flange mount option view for mounting.
3. Non-standard strokes can be accommodated with internal stroke limiters. The limiter is installed such that it prevents the actuator from extending completely.
4. ±3/16" (4.7 mm) adjustment available at rod end.
5. Consult Fife Corporation for longer strokes.

# H5530F ACTUATOR

6", 9" and 12" Stroke Version

## H3184 SERVO CENTER NOTES: (OPTIONAL)

1. The H3184 Sensor mounts to the side opposite the motor.
2. Position the H3184 Sensor along the length of the actuator as required to obtain desired centering position.
3. The H3184 Sensor cable is wired into the integral wiring compartment.
4. A 1.5" (38.1) clearance from steel framework is required for normal operation of the H3184 Sensor.



Part Number	A	B	C	D	Stroke
<b>H5530F1-0600</b>	15.49 (393.4)	12.54 (318.5)	6.41 (162.8)	1.58 (40.1)	6 (152)
<b>H5530F1-0900</b>	18.49 (469.6)	15.54 (394.7)	6.41 (162.8)	1.58 (40.1)	9 (228)
<b>H5530F1-1200</b>	21.49 (545.8)	18.54 (470.9)	6.41 (162.8)	1.58 (40.1)	12 (305)
<b>H5530F3-0600</b>	15.49 (393.4)	12.54 (318.5)	7.54 (191.5)	2.12 (53.8)	6 (152)
<b>H5530F3-0900</b>	18.49 (469.6)	15.54 (394.7)	7.54 (191.5)	2.12 (53.8)	9 (228)
<b>H5530F3-1200</b>	21.49 (545.8)	18.54 (470.9)	7.54 (191.5)	2.12 (53.8)	12 (305)
<b>H5530F5-0600</b>	15.49 (393.4)	12.54 (318.5)	9.81 (249.2)	3.24 (82.3)	6 (152)
<b>H5530F5-0900</b>	18.49 (469.6)	15.54 (394.7)	9.81 (249.2)	3.24 (82.3)	9 (228)
<b>H5530F5-1200</b>	21.49 (545.8)	18.54 (470.9)	9.81 (249.2)	3.24 (82.3)	12 (305)

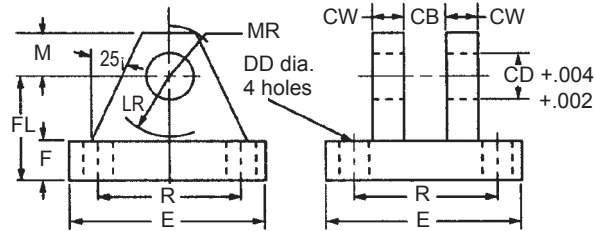
# SIMPLEX H5530F SERIES ACTUATORS

Model	Thrust*	Speed†	Standard Stroke
H5530F1	150 lb ( 68 kg)	1 .00 in./sec. (25 mm/sec.)	3 " (76 mm), 5" (127 mm), 9" (228 mm), 12" (305 mm)
H5530F3	300 lb (136 kg)	0 .70 in./sec. (17 mm/sec.)	6 " (152 mm), 9" (228 mm), 12" (305 mm)
H5530F5	500 lb (227 kg)	1 .25 in./sec. (32 mm/sec.)	6 " (152 mm), 9" (228 mm), 12" (305 mm)

\* Thrust available for application.

† Speed at full thrust.

## Clevis Bracket



	H5530-401	H0184-38-080
CB	.624 (15.8)	¾ (19.1)
CD	7/16 (11.1)	½ (12.7)
CW	3/8 (9.5)	½ (12.7)
DD	.30 (7.6)	13/32 (10.3)
E	2¼ (57.2) 3	½ (88.9)
F	3/8 (9.5)	½ (12.7)
FL	1 (25.4)	1½ (38.1)
LR	5/8 (15.9)	¾ (19.1)
M	3/8 (9.5)	½ (12.7)
MR	½ (12.7)	5/8 (15.9)
R	1.75 (44.5)	2.55 (64.8)
Load Capacity lb. e-	3600	7300



### NORTH, CENTRAL AND SOUTH AMERICA

Tel +1.405.755.1600  
 Fax +1.405.755.8425  
 sales@maxcessintl.com  
 www.maxcessintl.com

### INDIA

Tel +91.22.27602633  
 Fax +91.22.27602634  
 india@maxcessintl.com  
 www.maxcess.in

### EUROPE, MIDDLE EAST AND AFRICA

Tel +49.6195.7002.0  
 Fax +49.6195.7002.933  
 sales@maxcess.eu  
 www.maxcess.eu

### JAPAN

Tel +81.43.421.1622  
 Fax +81.43.421.2895  
 japan@maxcessintl.com  
 www.maxcess.jp

### CHINA

Tel +86.756.881.9398  
 Fax +86.756.881.9393  
 info@maxcessintl.com.cn  
 www.maxcessintl.com.cn

### KOREA, TAIWAN AND SE ASIA

asia@maxcessintl.com  
 www.maxcessintl.asia