



# PB series

M4 cylindrical  
miniaturized



M4 cylindrical  
miniaturized

## features

- Extremely reduced dimensions: M4 x 22 mm length
- Supply voltage 10...30 Vdc, output current 100 mA
- LED status indicator
- IP 67 housing protection
- Complete protection against electrical damages



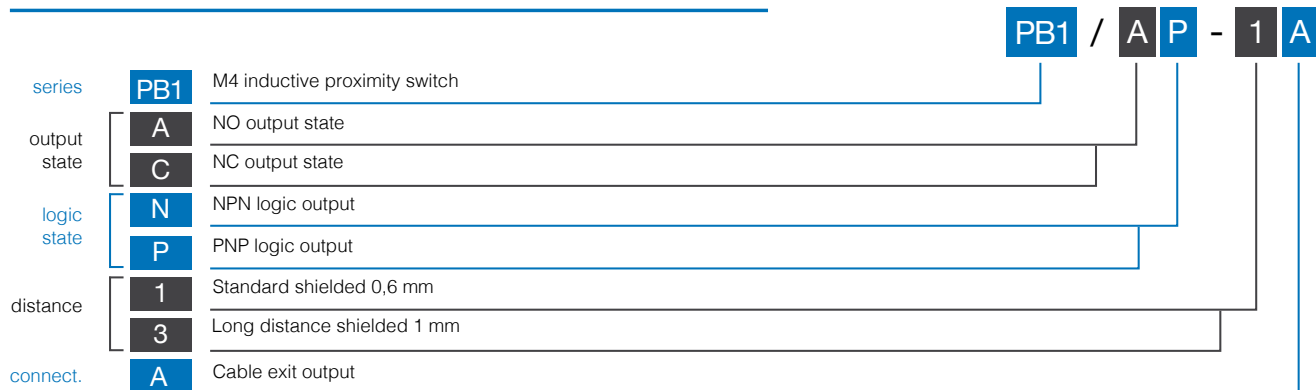
## web contents



- Application notes
- Photos
- Catalogue / Manuals





## code description



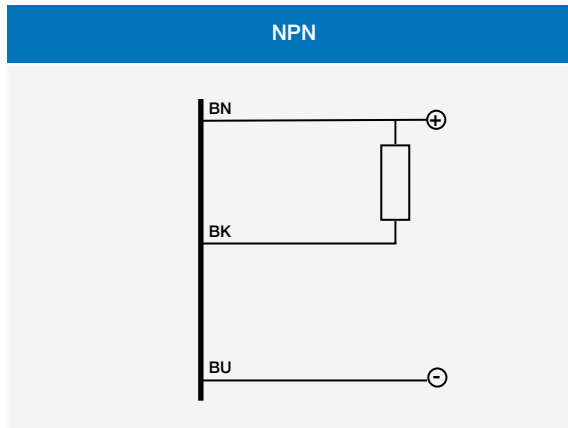
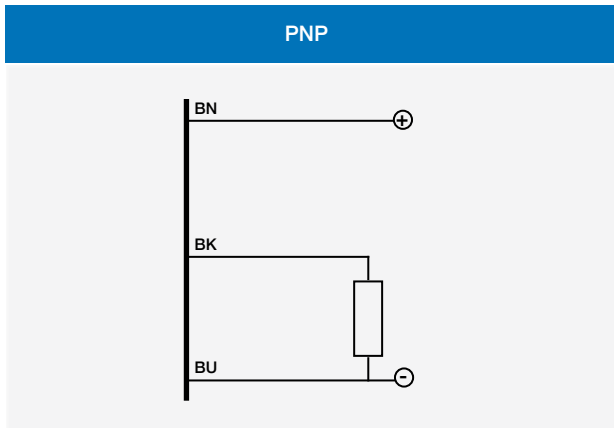
## available models

diameter	installation	distance	plug	distance (mm)	NPN/NO	NPN/NC	PNP/NO	PNP/NC
M4	shielded	standard	cable	0.6	PB1/AN-1A	PB1/CN-1A	PB1/AP-1A	PB1/CP-1A
		long distance		1	PB1/AN-3A	-	PB1/AP-3A	-

	PB1/**-1A	PB1/**-3A
		
nominal sensing distance	0,6 mm	1 mm
hysteresis	≤ 10% Sr	
standard target	4x4x1 mm	
repeatability	2%	
operating voltage	10...30 Vdc	
max ripple content	≤ 20%	
output type	NPN or PNP - NO or NC	
output current	≤ 100 mA	
output voltage drop	≤ 2,0 V @ 100 mA	
no-load supply current	≤ 10 mA	
leakage current	≤ 0,1 mA	
switching frequency	≤ 5000 Hz	≤ 3000 Hz
power on delay	10 ms	
ambient temperature range	-25...+70 °C	
temperature drift of Sr	≤ 10%	
short-circuit protection	●	
voltage reversal protection	●	
induction protection	●	
shocks and vibration	IEC 60947-5-2 / 7.4	
weight	17 g	
protection degree	IP 67	
EMC	in conformity with the EMC Directive, according to EN 60947-5-2	
housing material	stainless steel	
active head material	polyester	
connection	2 m PUR cable	

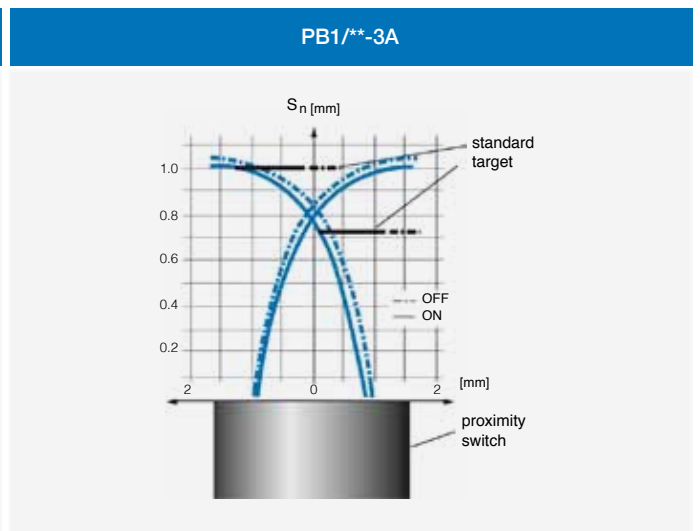
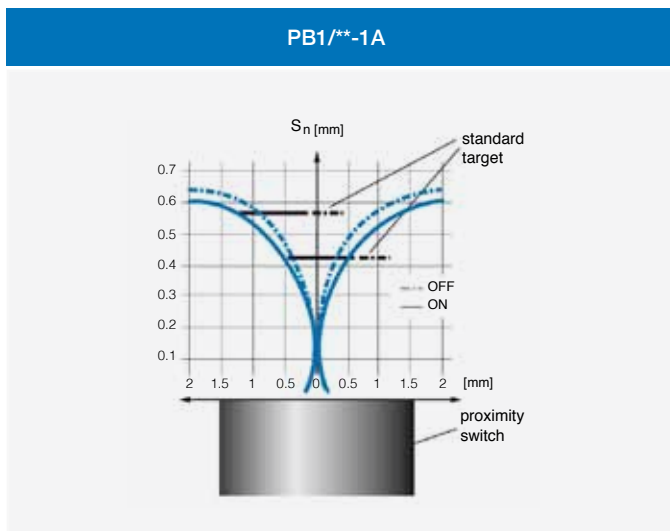
## correction factors

steel FE 360		copper		aluminium		brass		stainless steel	
PB1/**-1A	PB1/**-3A	PB1/**-1A	PB1/**-3A	PB1/**-1A	PB1/**-3A	PB1/**-1A	PB1/**-3A	PB1/**-1A	PB1/**-3A
1.0	1.0	0.50	0.45	0.55	0.50	0.65	0.60	0.80	0.80

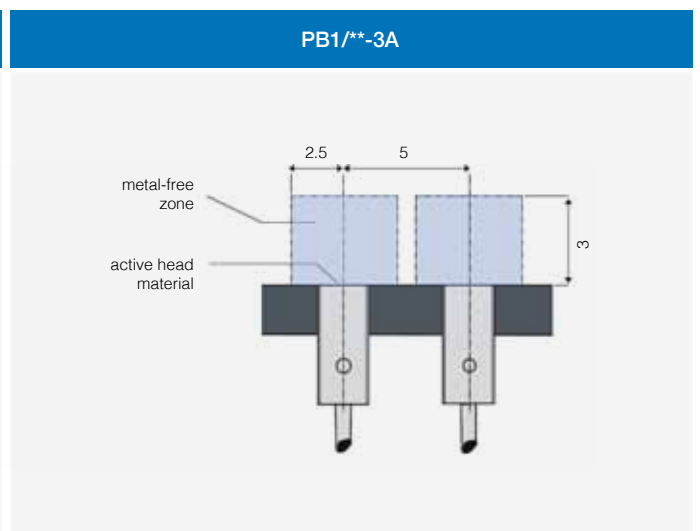
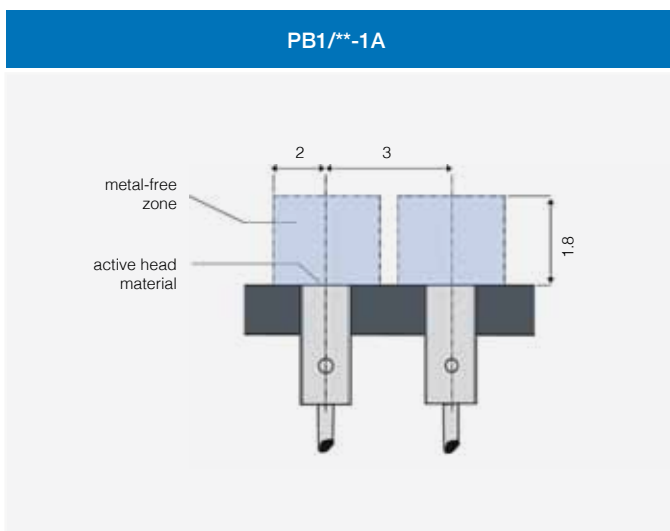


- BN** brown
- BU** blue
- BK** black
- WH** white

response diagram



installation

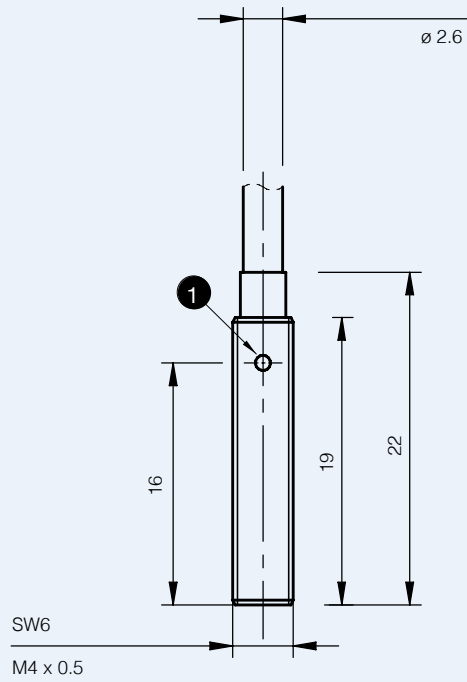




## dimensions(mm)

M4 cylindrical  
miniaturized

PB1/\*\*-A



1 LED

## dimensions (mm)

accessories included in all models

