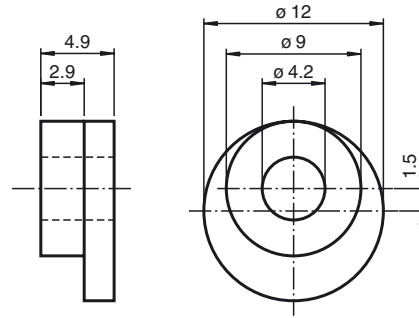




**Dimensions**



**Model Number**

**9311**

Mounting set for the mounting bracket  
9300

**Technical data**

**General information**

Scope of delivery	4 screws M4 x 12 3 screws M4 x 10 7 washers 4.3 mm 3 Synchro clamping element 3 cylinder head screws M4 x 35 3 hexagon nuts M4
-------------------	---

Release date: 2018-07-25 11:43 Date of issue: 2018-07-25 045038\_eng.xml

Refer to "General Notes Relating to Pepperl+Fuchs Product Information".

Pepperl+Fuchs Group  
www.pepperl-fuchs.com

USA: +1 330 486 0001  
fa-info@us.pepperl-fuchs.com

Germany: +49 621 776 4411  
fa-info@de.pepperl-fuchs.com

Singapore: +65 6779 9091  
fa-info@sg.pepperl-fuchs.com