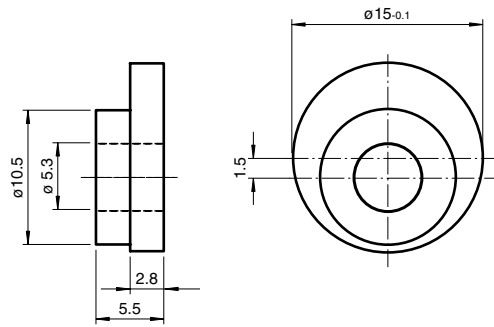




Dimensions



Model Number

9312-3

Synchro clamping element

Technical data

General information

Scope of delivery 3 item(s)