



Model Number

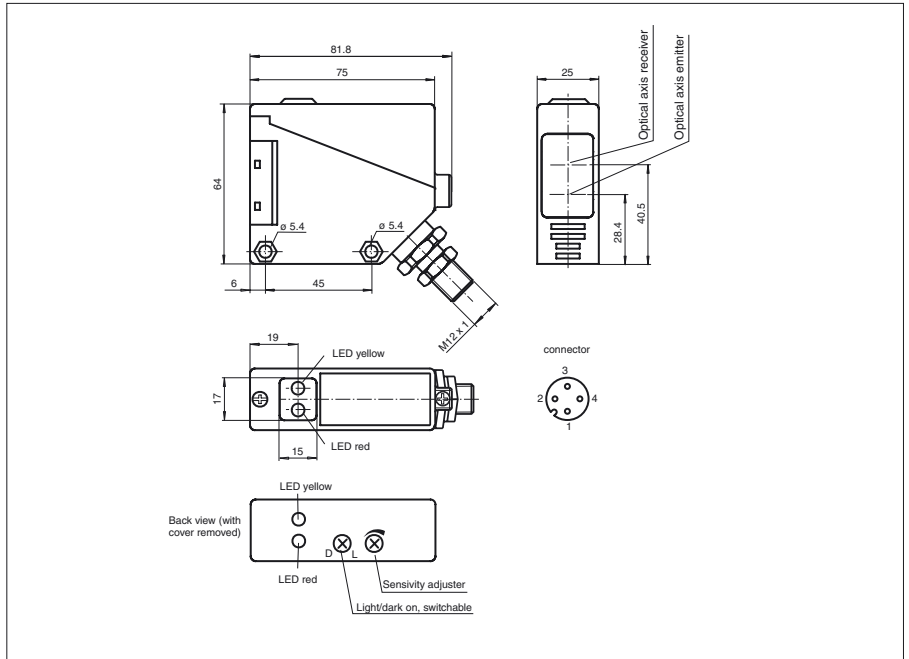
RL39-8-800/32/40a/73c/82a

Diffuse mode sensor
with terminal compartment

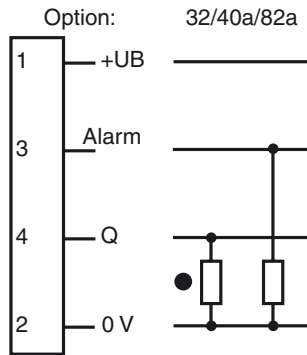
Features

- Infrared light
- Light/dark ON, switchable
- Degree of protection IP67

Dimensions

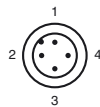


Electrical connection



○ = Light on
● = Dark on

Pinout



Wire colors in accordance with EN 60947-5-2

1	BN	(brown)
2	WH	(white)
3	BU	(blue)
4	BK	(black)

Release date: 2017-08-28 14:32 Date of issue: 2017-08-28 088632_eng.xml

Technical data**General specifications**

Detection range	0 ... 800 mm
Adjustment range	150 ... 800 mm
Reference target	standard white 200 mm x 200 mm
Light source	IREL
Light type	modulated infrared light
Ambient light limit	IEC / EN 60947-5-2 , 10000 Lux

Functional safety related parameters

MTTF _d	916 a
Mission Time (T _M)	20 a
Diagnostic Coverage (DC)	0 %

Indicators/operating means

Function indicator	LED yellow: switching state LED red: pre-fault indication
Control elements	Sensing range adjuster, light-on/dark-on changeover switch

Electrical specifications

Operating voltage	U _B	10 ... 30 V DC
Ripple		10 %
No-load supply current	I ₀	≤ 20 mA
Time delay before availability	t _v	≤ 300 ms

Output

Pre-fault indication output	1 PNP, active when falling short of the stability control	
Switching type	light/dark on	
Signal output	1 PNP output, short-circuit protected, reverse polarity protected, open collector	
Switching voltage	max. 30 V DC	
Switching current	max. 200 mA , resistive load	
Voltage drop	U _d	≤ 3 V
Switching frequency	f	≤ 300 Hz
Response time		≤ 1.5 ms

Ambient conditions

Ambient temperature	-25 ... 55 °C (-13 ... 131 °F)
Storage temperature	-40 ... 70 °C (-40 ... 158 °F)

Mechanical specifications

Housing width	25 mm
Housing height	64 mm
Housing depth	75 mm
Degree of protection	IP67
Connection	4-pin, M12 x 1 connector
Material	
Housing	PBT
Optical face	PMMA
Mass	approx. 100 g

General information

Scope of delivery	Mounting aid
-------------------	--------------

Compliance with standards and directives

Directive conformity	EMC Directive 2004/108/EC
EMC Directive 2004/108/EC	EN 60947-5-2:2007+A1:2012 IEC 60947-5-2:2007+A1:2012
Standard conformity	
Product standard	EN 60947-5-2:2007 IEC 60947-5-2:2007

Approvals and certificates

CCC approval	CCC approval / marking not required for products rated ≤36 V
Approvals	CE

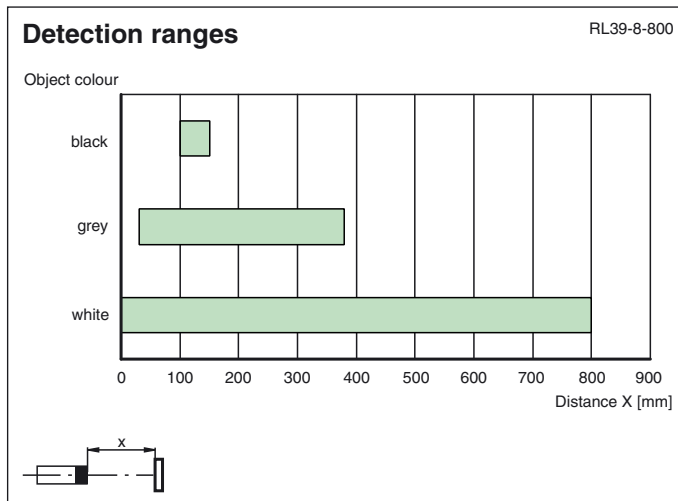
Accessories**V1-G-2M-PUR**

Female cordset, M12, 4-pin, PUR cable

V1-W-2M-PUR

Female cordset, M12, 4-pin, PUR cable

Curves/Diagrams



Additional Information

Conventional use:

The reflex light scanner contains the emitter and receiver in a single housing. The light from transmitter is beamed back from the recorded object is evaluated by the receiver. The detection range depend on the object colour. With dark or very small objects the detection range reduces.

Mounting instructions:

The sensor can be fastened over the through-holes directly or with the included mounting bracket.

The base surface must be flat to avoid distorting the housing during mounting. It is advisable to secure the bolts and screws with washers so that the sensor does not become misaligned.

Instructions for adjustment:

Adjust the sensor on the background. If the yellow LED illuminates, the detection range needs to be reduced with the detection range adjuster, until the yellow LED goes off.

Object detection check:

Position the object into the light beam. Position light spot on object. If the object is detected, the yellow LED illuminated. If it does not light up, further to adjust the detection range with the potentiometer, until the yellow LED lights up.

The red LED flashes if reception deteriorates (e.g. soiled lenses or by maladjustment) and when falling short of the stability control.

Illustration:

We recommend that you clean the optical interfaces and check the plug-in connections and screw connections at regular intervals.