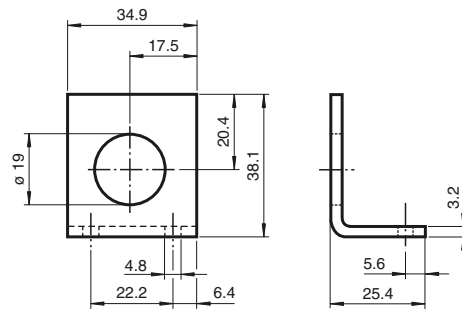




Dimensions



Technical data

Mechanical specifications

Material	Stainless steel
----------	-----------------

Model Number

AB-18

Mounting aid

Features

- Retainer for all cylindrical sensors with M18 thread

Application

Using the mounting aid cylindrical sensors are fast and easy to fit. Use the nuts included with the sensor for attachment.



Sensor fitted inside the mounting aid

Release date: 2013-02-27 20:54 Date of issue: 2013-02-27 090012_eng.xml