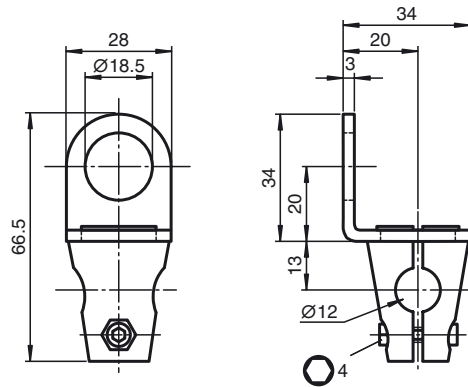




Dimensions



Model Number

MH 01-M18
Mounting brackets for sensors

Features

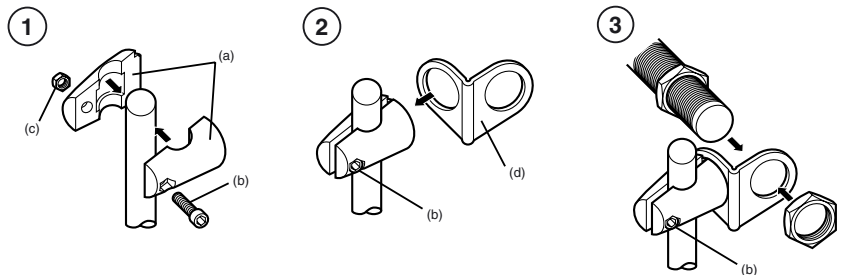
- Suitable for M18 sensors
- Simple and fast mounting

Technical data

Mechanical specifications

Material Clamping cylinder: Diecast zinc
Support bracket: Steel

Installation instructions



- ① Fasten the two parts of the mounting clamp (a) loosely by means of the screw (b) and the nut (c) supplied.
- ② Attach the mounting bracket (d) and then tighten the screw (b) in such a way that the bracket can still be turned.
- ③ Tighten the screw fully after the sensor has been mounted and aligned.

Release date: 2015-06-16 18:12 Date of issue: 2015-06-16 096532_eng.xml