



Model Number

OMH-01

Mounting aid for round steel \varnothing 12 mm or sheet 1.5 mm ... 3 mm

Features

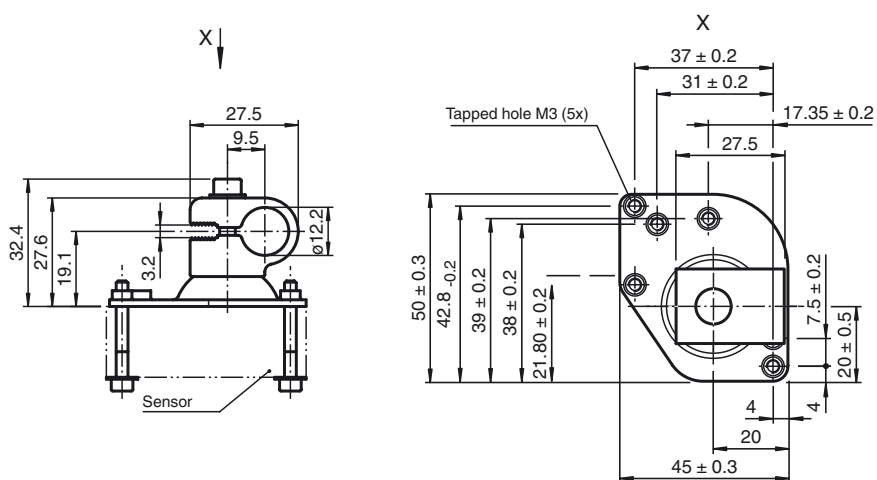
- Bracket for round steel or sheet

Accessories

OMH-SLCT-12-500

Mounting bracket, muting arm with round rod $d=12$ mm

Dimensions



Technical data

Mechanical specifications

Material	Metal sheet (steel), zinc-plated aluminum
Mass	approx. 50 g

Suitable series

Series	MLV11 MLV12
--------	----------------