



CE

Model Number

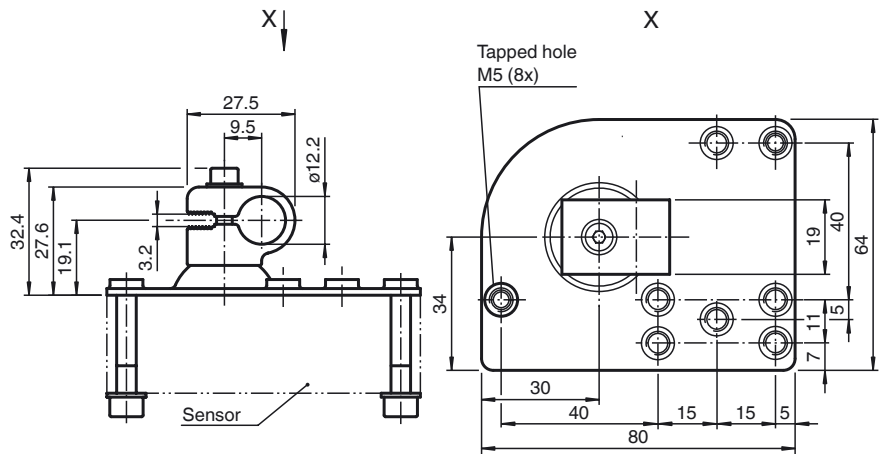
OMH-03

Mounting aid for round steel \varnothing 12 mm or sheet 1.5 mm ... 3 mm

Features

- Bracket for round steel or sheet

Dimensions



Technical data

Mechanical specifications

Material	Metal sheet (steel), zinc-plated aluminum
Mass	approx. 85 g

Suitable series

Series	RL36 RL39 EDM3,5 EDM5 EDM20
--------	---