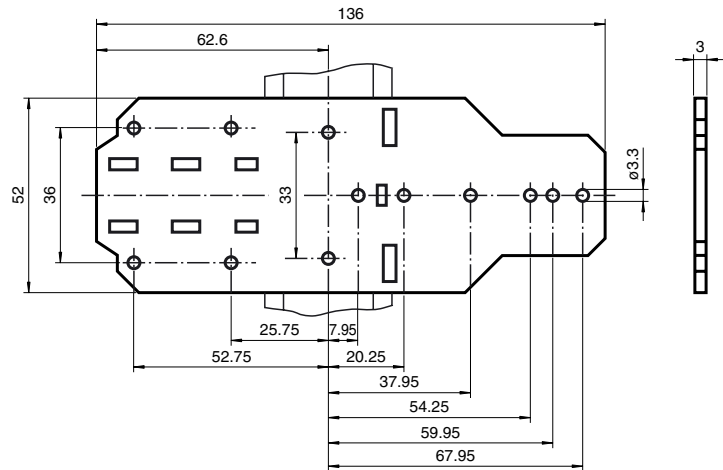




Dimensions



Model Number

MH 05-SACB-8

Mounting aid for splitter boxes for DIN rail

Features

- Mounting accessory for DIN rail

Technical data

Mechanical specifications

Material	Diecast zinc
Mass	approx. 150 g
Dimensions	136 mm x 52 mm x 3 mm

Release date: 2015-09-09 10:44 Date of issue: 2015-09-09 107343_eng.xml

Refer to "General Notes Relating to Pepperl+Fuchs Product Information".

Pepperl+Fuchs Group
www.pepperl-fuchs.com

USA: +1 330 486 0001
fa-info@us.pepperl-fuchs.com

Germany: +49 621 776 4411
fa-info@de.pepperl-fuchs.com

Singapore: +65 6779 9091
fa-info@sg.pepperl-fuchs.com