



Model Number

U-P3-RX

Base with serial interfaces RS 232 and RS 485

Features

- Degree of protection IP67
- With serial interfaces RS 232 and RS 485

Function

The base is used in combination with an upper part, the IPT*-FP read/write station. Either an RS 232- or an RS 485-interface is available.

The read/write station is connected to a higher-order control system via the serial interface and receives the commands for writing and/or reading code or data carriers via this interface.

Matching system components

IPT-FP

Read/write station

IPT1-FP

LF R/W system, fully assembled as configuration and test station

KHD2-MTI-AB4

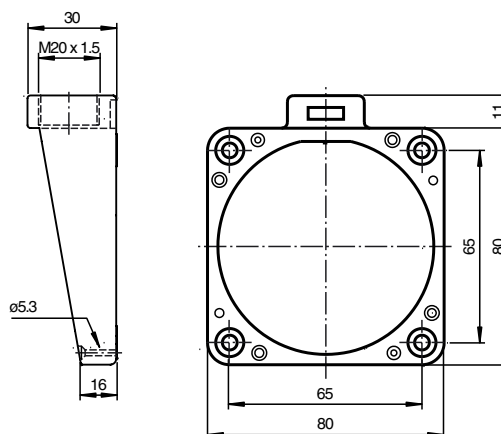
Remote I/O adapter

Accessories

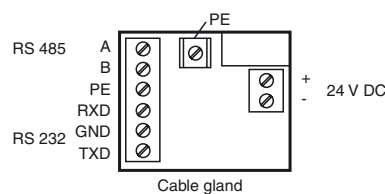
RFIDControl

Software for RFID identification systems

Dimensions



Electrical connection



Technical data

Electrical specifications

Rated operating voltage	U_e	20 ... 30 V DC, ripple 10 % _{SS} , PELV
Power consumption	P_0	max. 4 W with read/write head IPT*-FP
Galvanic isolation		
Operating voltage/interface		functional insulation acc. to DIN EN 50178, rated insulation voltage 50 V _{eff}

Interface

Physical	RS-232/RS-485
Protocol	ASCII
Transfer rate	1200; 2400; 4800; 9600; 19200; 38400
Cable length	≤ 15 m at RS 232 ≤ 1200 m at RS-485

Ambient conditions

Ambient temperature	-25 ... 70 °C (-13 ... 158 °F)
Storage temperature	-40 ... 85 °C (-40 ... 185 °F)

Mechanical specifications

Degree of protection	IP67 according to EN 60529 with IPT*-FP
Connection	screw terminals
Interface cable	3 conductor, acc. to RS-232 or 2 acc. to RS-485
Supply	up to 3 x 1.5 mm ²
Material	
Housing	diecast aluminum

Approvals and certificates

EAC conformity	TR CU 020/2011
----------------	----------------