



CE

Model Number

PG HOLDER SLP

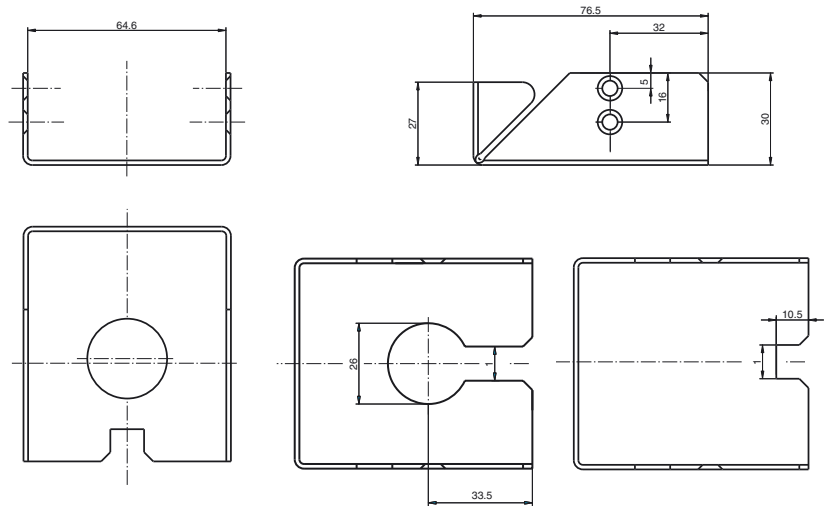
Holders for SLP protective glass panes

Features

- Bracket for mounting the glass panel for the protection of the light outlet surface of safety light grids and curtains

Packaging unit 4-piece

Dimensions



Technical data

Ambient conditions

Storage temperature -40 ... 85 °C (-40 ... 185 °F)

Mechanical specifications

Material nickel-plated steel
Mounting Mounting accessories included