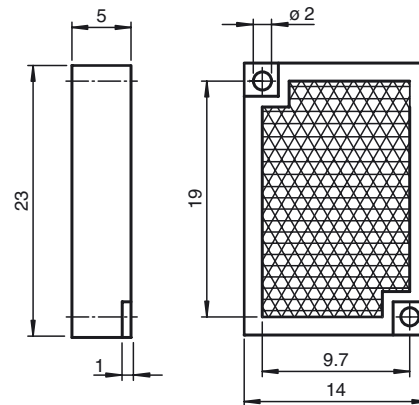




## Dimensions



### Model Number

#### REF-MH23

Reflector with Micro-structure, rectangular 23 mm x 13.8 mm, diagonal mounting hole

### Features

- Mounting holes for simple installation
- Micro-structure

## Technical data

### General specifications

|                   |                |
|-------------------|----------------|
| Construction type | rectangular    |
| Tripel height     | approx. 0.9 mm |

### Ambient conditions

|                     |                               |
|---------------------|-------------------------------|
| Ambient temperature | -20 ... 85 °C (-4 ... 185 °F) |
|---------------------|-------------------------------|

### Mechanical specifications

|            |                      |
|------------|----------------------|
| Material   | PMMA/ABS             |
| Dimensions | 23 mm x 14 mm x 5 mm |
| Mounting   | mounting holes       |