



Model Number

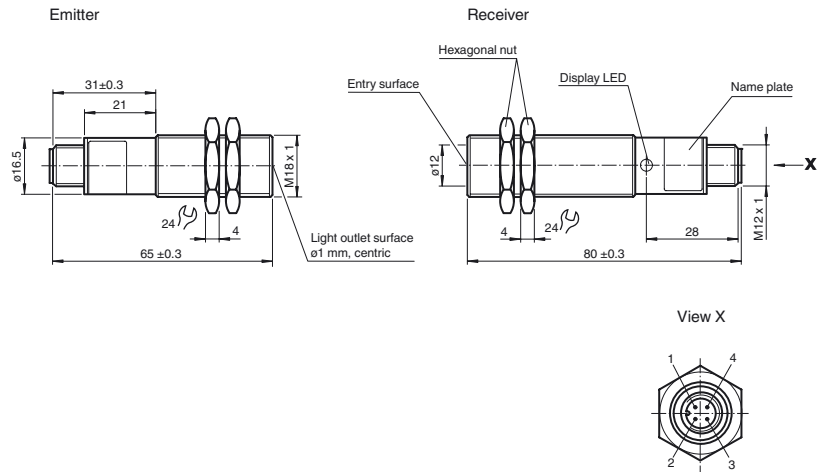
E18-LAS/EV18-LAS/25/32/76a/92

Thru-beam sensor
with 4-pin, M12 x 1 connector

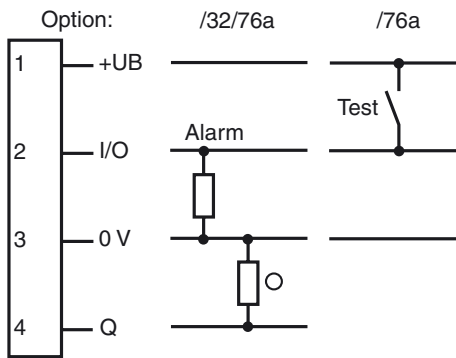
Features

- Laser thru-beam sensor in the M18 housing
- Metal design
- Automatic threshold value adaptation
- Very high switching accuracy
- Light beam diameter < 1.5 mm
- Test input

Dimensions

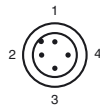


Electrical connection



○ = Light on
● = Dark on

Pinout



Wire colors in accordance with EN 60947-5-2

1	BN	(brown)
2	WH	(white)
3	BU	(blue)
4	BK	(black)

Release date: 2018-10-08 14:26 Date of issue: 2018-10-08 115526_eng.xml

Refer to "General Notes Relating to Pepperl+Fuchs Product Information".

Pepperl+Fuchs Group
www.pepperl-fuchs.com

USA: +1 330 486 0001
fa-info@us.pepperl-fuchs.com

Germany: +49 621 776 4411
fa-info@de.pepperl-fuchs.com

Singapore: +65 6779 9091
fa-info@sg.pepperl-fuchs.com

Technical data**System components**

Emitter	E18-LAS/92
Receiver	EV18-LAS/32/92

General specifications

Effective detection range	0 ... 10 m
Threshold detection range	18 m
Light source	laser diode
Light type	modulated visible red light
Laser nominal ratings	

Note	LASER LIGHT , DO NOT STARE INTO BEAM	
Laser class	1	
Wave length	650 nm	
Beam divergence	1 mrad	
Pulse length	15 µs	
Repetition rate	10 kHz	
max. pulse energy	< 10.2 nJ	
Target size	1.2 mm	
Light receiver	photo diode	
Diameter of the light spot	approx. 2 mm at detection range 1.5 m	
Angle of divergence	Receiver +/-2°	
Optical face	frontal	
Ambient light limit		
Continuous light	5000 Lux	
Hysteresis	H	25 %

Functional safety related parameters

MTTF _d	208.3 a
Mission Time (T _M)	7 a
Diagnostic Coverage (DC)	60 %

Indicators/operating means

Function indicator	LED yellow, lights up when light beam is free, flashes when falling short of the stability control
--------------------	--

Electrical specifications

Operating voltage	U _B	10 ... 30 V DC
Ripple		10 %
No-load supply current	I ₀	emitter ≤ 25 mA , receiver ≤ 60 mA

Input

Test input	Emitter deactivation emitter on: 0 ... +3V emitter off: +5V ... +U _B
------------	---

Output

Pre-fault indication output	PNP, open collector , short-circuit protected inactive: signal strength > approx. 30 % of the strength with clean optic active: signal strength < approx. 30 % of the strength with clean optic	
Switching type	light on	
Signal output	1 PNP, short-circuit protected, open collector	
Switching voltage	max. 30 V DC	
Switching current	max. 100 mA	
Switching frequency	f	1000 Hz
Response time		0.5 ms

Ambient conditions

Ambient temperature	0 ... 50 °C (32 ... 122 °F)
Storage temperature	-40 ... 85 °C (-40 ... 185 °F)

Mechanical specifications

Degree of protection	IP65
Connection	4-pin, M12 x 1 connector
Material	
Housing	brass, nickel-plated
Optical face	glass
Connector	metal
Mass	Per 45 g

Compliance with standards and directives

Directive conformity	
EMC Directive 2004/108/EC	EN 60947-5-2:2007
Standard conformity	
Product standard	EN 60947-5-2:2007 IEC 60947-5-2:2007
Shock and impact resistance	IEC / EN 60068, half-sine, 30 g in X, Y and Z direction
Vibration resistance	IEC / EN 60068-2-6. Sinus. 10 -150 Hz, 5 g in each X, Y and Z directions
Laser class	IEC 60825-1:2007 EN 60825-1:2007

Accessories**CPZ18B03**

Mounting Bracket with swivel nut

OMH-VL18

Mounting Bracket with swivel nut

BF 18

Mounting flange, 18 mm

BF 18-F

Plastic mounting adapter, 18 mm

BF 5-30

Universal mounting bracket for cylindrical sensors with a diameter of 5 ... 30 mm

V1-G-2M-PVC

Female cordset, M12, 4-pin, PVC cable

V1-G-2M-PUR

Female cordset, M12, 4-pin, PUR cable

V1-W-2M-PUR

Female cordset, M12, 4-pin, PUR cable

V1-G-5M-PVC

Female cordset, M12, 4-pin, PVC cable

V1-G-5M-PUR

Female cordset, M12, 4-pin, PUR cable

V1-W-5M-PUR

Female cordset, M12, 4-pin, PUR cable

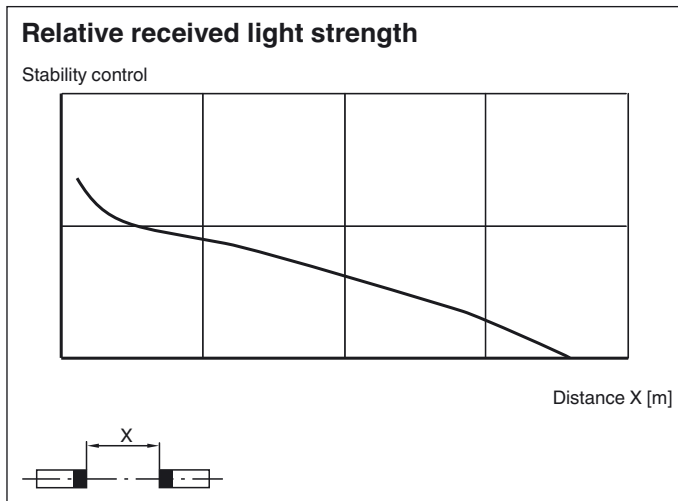
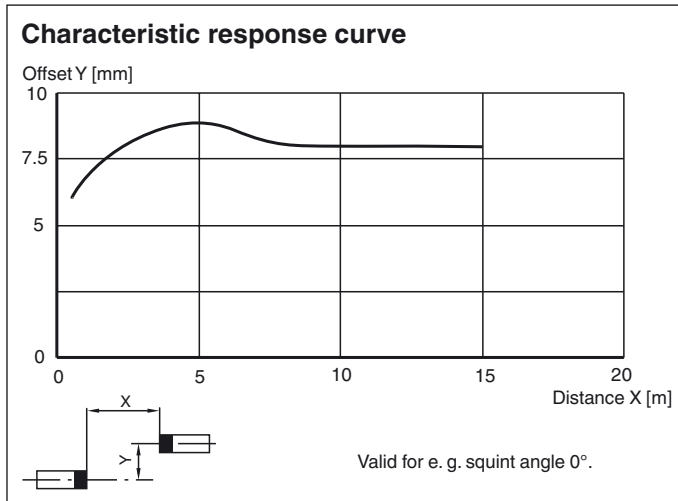
Other suitable accessories can be found at www.pepperl-fuchs.com

Approvals and certificates

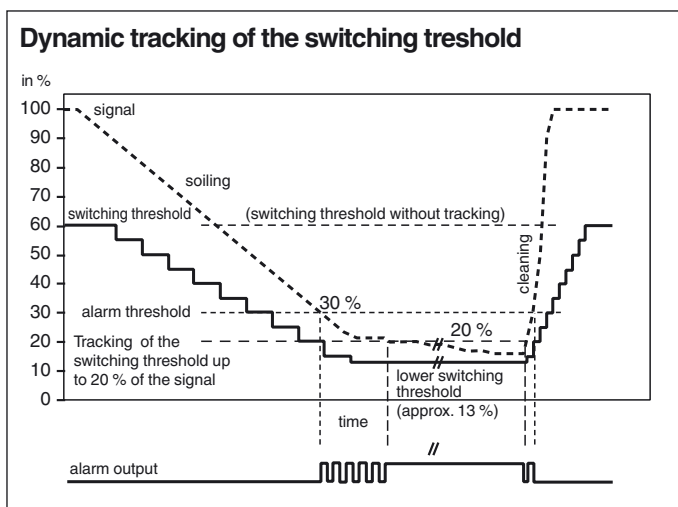
CCC approval

CCC approval / marking not required for products rated ≤36 V

Curves/Diagrams



Curves/Diagrams



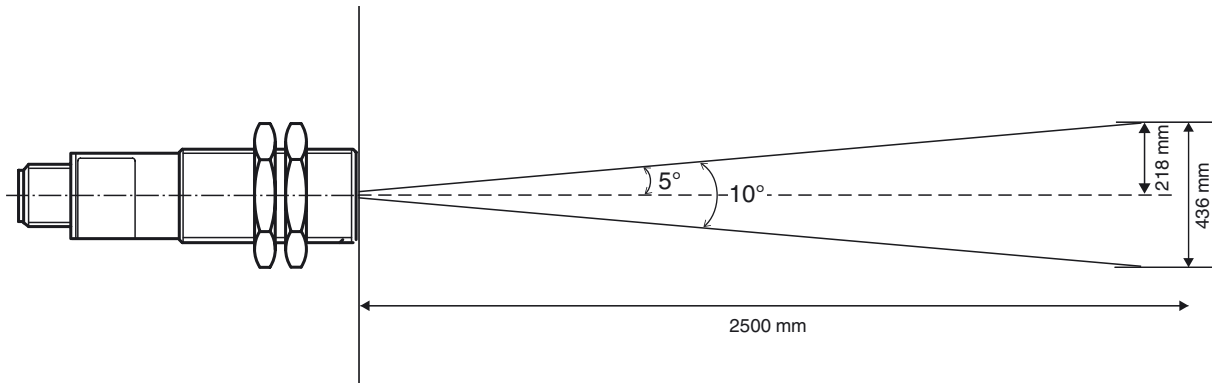
Note

The E18/EV18-LAS... optical barrier is equipped with an automatic adjustment of the limit value with non-volatile memory to compensate for contamination by dust particles in the optical path. The adjustment of the limit value for the switching point extends to < 20% of the signal level that is present for the unattenuated optical path. The control constant is < 3 sec for a reduction in intensity of 2%, or < 0.6 s (typically 0.2 sec) for an increase in intensity of 2%.

Release date: 2018-10-08 14:26 Date of issue: 2018-10-08 115526_eng.xml

Refer to "General Notes Relating to Pepperl+Fuchs Product Information".

Squint Angle



Laser notice laser class 1

- The irradiation can lead to irritation especially in a dark environment. Do not point at people!
- Maintenance and repairs should only be carried out by authorized service personnel!
- Attach the device so that the warning is clearly visible and readable.
- The warning accompanies the device and should be attached in immediate proximity to the device.
- Caution – Use of controls or adjustments or performance of procedures other than those specified herein may result in hazardous radiation exposure.