



CE

### Model Number

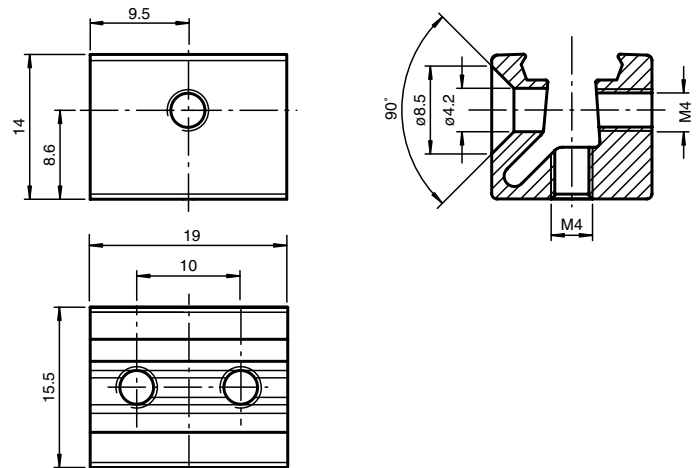
**OMH-K01**

dove tail mounting clamp

### Features

- Mounting clamp
- Simple and fast mounting

### Dimensions



### Technical data

#### Mechanical specifications

Material	anodized aluminum
Mass	approx. 10 g

#### Suitable series

Series	MLV12
Safety Series	SL12, SLA12