



Model Number

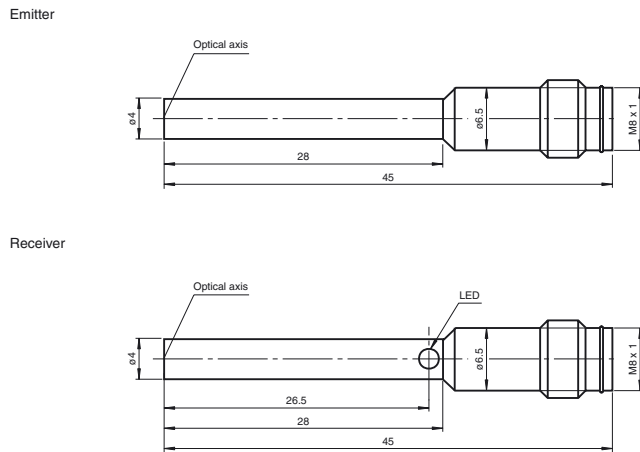
KS9/KSE9/59/98a/102

Thru-beam sensor
with 3-pin, M8 x 1 connector

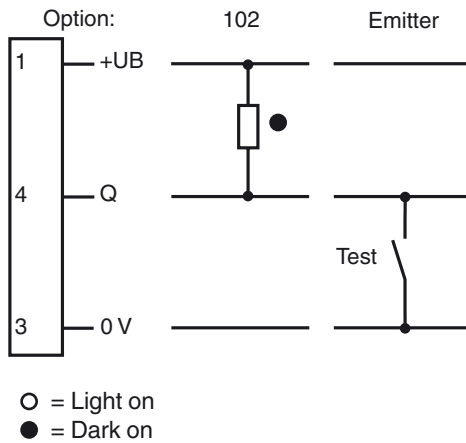
Features

- Sensing range up to 250 mm
- Large detection range in relation to design
- Complete device, no amplifier needed
- Voltage range 10 V ... 30 V DC, output current 100 mA short-circuit protected
- Optical parts made of glass, easy cleaning
- Degree of protection IP67

Dimensions



Electrical connection



Pinout



Release date: 2015-01-29 10:46 Date of issue: 2015-01-29 118340_eng.xml

Refer to "General Notes Relating to Pepperl+Fuchs Product Information".

Pepperl+Fuchs Group
www.pepperl-fuchs.com

USA: +1 330 486 0001
fa-info@us.pepperl-fuchs.com

Germany: +49 621 776 4411
fa-info@de.pepperl-fuchs.com

Singapore: +65 6779 9091
fa-info@sg.pepperl-fuchs.com

Technical data**General specifications**

| | |
|---------------------------|--------------------------|
| Effective detection range | 0 ... 250 mm |
| Light source | LED |
| Light type | modulated infrared light |
| Optical face | frontal |
| Ambient light limit | 10000 Lux |

Indicators/operating means

| | |
|--------------------|-----------------------------|
| Function indicator | switching state, LED yellow |
|--------------------|-----------------------------|

Electrical specifications

| | | |
|--------------------------------|-------|------------------|
| Operating voltage | U_B | 10 ... 30 V DC |
| Ripple | | 10 % |
| No-load supply current | I_0 | ≤ 15 mA (device) |
| Time delay before availability | t_v | ≤ 20 ms |

Input

| | |
|------------|---|
| Test input | inactive: ≤ 4 V; active: ≥ 8 V or unwired (emitter) |
|------------|---|

Output

| | | |
|---------------------|---------------------|----------|
| Switching type | dark on | |
| Signal output | 1 switch output NPN | |
| Switching voltage | max. 30 V DC | |
| Switching current | max. 100 mA | |
| Switching frequency | f | ≤ 250 Hz |
| Response time | | ≤ 3 ms |

Ambient conditions

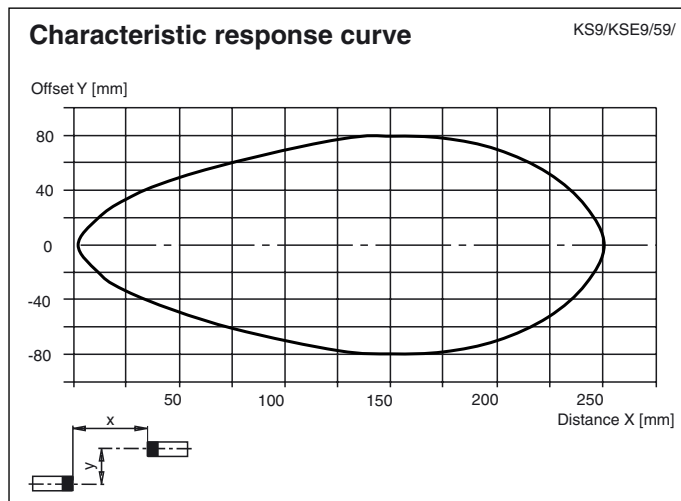
| | |
|---------------------|-----------------------------|
| Ambient temperature | 0 ... 55 °C (32 ... 131 °F) |
|---------------------|-----------------------------|

Mechanical specifications

| | |
|----------------------|--------------------------------------|
| Degree of protection | IP67 |
| Connection | M8 x 1 connector, 3-pin |
| Material | |
| Housing | Stainless steel 1.4305 / AISI 303 |
| Optical face | Scratch resistant mineral glass lens |
| Mass | 18 g (device) |

Compliance with standards and directives

| | |
|---------------------|---|
| Standard conformity | |
| Product standard | EN 60947-5-2:2007 IEC 60947-5-2:2007 |

Curves/Diagrams**Accessories****V3-GM-2M-PVC**

Female cordset, M8, 3-pin, PVC cable

V3-WM-2M-PVC

Female cordset, M8, 3-pin, PVC cable

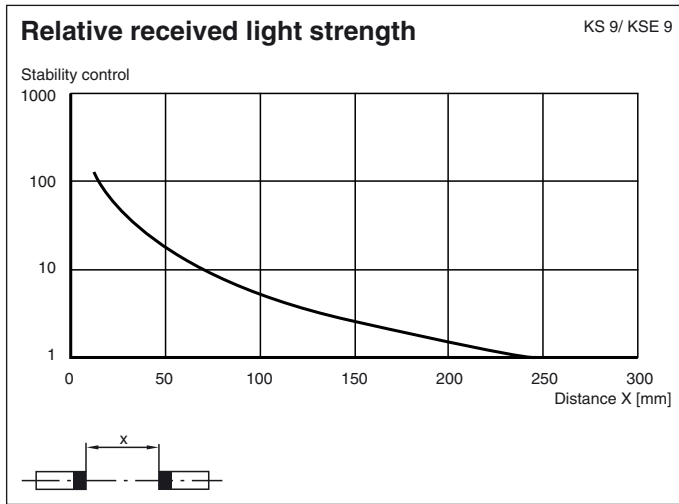
V3-GM-2M-PUR

Cable socket, M8, 3-pin, PUR cable

V3-WM-2M-PUR

Cable socket, M8, 3-pin, PUR cable

Other suitable accessories can be found at www.pepperl-fuchs.com



Release date: 2015-01-29 10:46 Date of issue: 2015-01-29 118340_eng.xml

Refer to "General Notes Relating to Pepperl+Fuchs Product Information".

Pepperl+Fuchs Group
www.pepperl-fuchs.com

USA: +1 330 486 0001
fa-info@us.pepperl-fuchs.com

Germany: +49 621 776 4411
fa-info@de.pepperl-fuchs.com

Singapore: +65 6779 9091
fa-info@sg.pepperl-fuchs.com