

**Features**

- 2-channel isolated barrier
- 24 V DC supply (bus powered)
- Dry contact or NAMUR inputs
- Usable as signal splitter (1 input and 2 outputs)
- 2 relay contact outputs per channel
- Line fault detection (LFD)
- Up to SIL 2 acc. to IEC 61508

**Function**

This isolated barrier is used for intrinsic safety applications. It transfers digital signals (NAMUR sensors/mechanical contacts) from a hazardous area to a safe area.

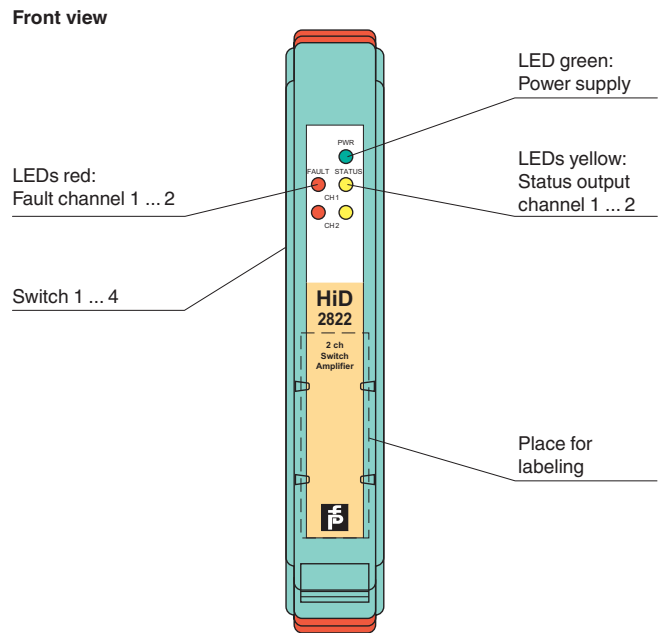
The proximity sensor or switch controls two form A normally open relay outputs for the safe area load. The module output changes state when the input signal changes state. The normal output state can be reversed with the selector switches on the side of the unit.

Line fault detection (LFD) can be selected or disabled via a selector switch.

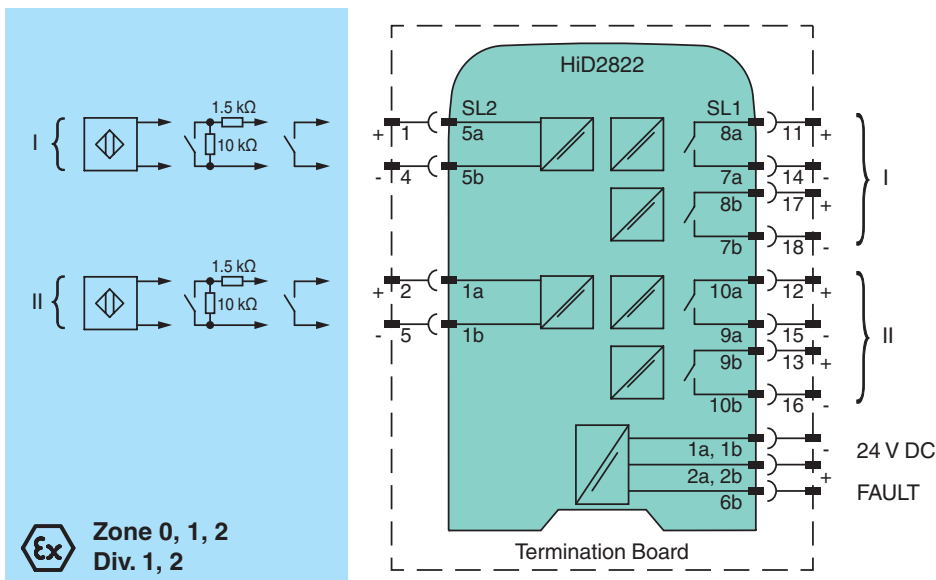
During an error condition, the relay reverts to its de-energized state and the LEDs indicate the fault. A separate fault output bus is available. The fault conditions can be monitored via a Fault Indication Board.

This module mounts on a HiD Termination Board.

**Assembly**



**Connection**



Release date 2018-05-08 08:13 Date of issue 2018-05-08 12:1448\_eng.xml

Refer to "General Notes Relating to Pepperl+Fuchs Product Information".

<b>General specifications</b>		
Signal type		Digital Input
<b>Functional safety related parameters</b>		
Safety Integrity Level (SIL)		SIL 2
<b>Supply</b>		
Connection		SL1: 1a(-), 1b(-); 2a(+), 2b(+)
Rated voltage	$U_r$	20.4 ... 30 V DC bus powered via Termination Board
Rated current	$I_r$	15 mA at 24 V, relay energized (per channel)
Power dissipation		0.35 W at 24 V (per channel)
<b>Input</b>		
Connection side		field side
Connection		SL2: 5a(+), 5b(-); 1a(+), 1b(-)
Rated values		acc. to EN 60947-5-6 (NAMUR)
Connectable sensor types		potential free contact or proximity sensor
Switching point		contact open 0.2 ... 1.2 mA, contact closed 2.1 ... 6.5 mA
Line fault detection		breakage 0 ... 0.2 mA, short-circuit 6.5 mA ... maximum value
<b>Output</b>		
Connection side		control side
Connection		SL1: 8a, 7a, 8b, 7b; 10a, 9a, 10b, 9b
Output		signal: relay DPST per channel, phase selectable
Response time		20 ms
Contact loading		50 V DC / 0.5 A non-inductive
Mechanical life		$10^7$ switching cycles
<b>Fault indication output</b>		
Connection		SL1: 6b
Output type		open collector transistor (internal fault bus)
<b>Transfer characteristics</b>		
Switching frequency		< 10 Hz
<b>Galvanic isolation</b>		
Output/power supply		functional insulation acc. to DIN EN 50178, rated insulation voltage 50 V <sub>eff</sub>
Output/Output		functional insulation acc. to DIN EN 50178, rated insulation voltage 50 V <sub>eff</sub>
<b>Indicators/settings</b>		
Display elements		LEDs
Control elements		DIP-switch
Configuration		via DIP switches
Labeling		space for labeling at the front
<b>Directive conformity</b>		
Electromagnetic compatibility		
Directive 2014/30/EU		EN 61326-1:2013 (industrial locations)
<b>Conformity</b>		
Galvanic isolation		EN 50178:1997
Electromagnetic compatibility		NE 21:2006 For further information see system description.
Degree of protection		IEC 60529:2001
<b>Ambient conditions</b>		
Ambient temperature		-20 ... 60 °C (-4 ... 140 °F)
Relative humidity		5 ... 90 %, non-condensing up to 35 °C (95 °F)
<b>Mechanical specifications</b>		
Degree of protection		IP20
Mass		approx. 140 g
Dimensions		18 x 106 x 128 mm (0.7 x 4.2 x 5 inch)
Mounting		on Termination Board
Coding		pin 1 and 2 trimmed For further information see system description.
<b>Data for application in connection with hazardous areas</b>		
EU-Type Examination Certificate		CESI 02 ATEX 086
Marking		⊕ II (1)G [Ex ia Ga] IIC , ⊕ II (1)D [Ex ia Da] IIIC
Input		Ex ia, Ex iaD
Voltage	$U_o$	13.2 V
Current	$I_o$	20 mA
Power	$P_o$	66 mW
<b>Supply</b>		
Maximum safe voltage	$U_m$	250 V AC (Attention! $U_m$ is no rated voltage.)
Type of protection [EEx ia]		

Release date 2018-05-08 08:13 Date of issue 2018-05-08 121448\_eng.xml

Refer to "General Notes Relating to Pepperl+Fuchs Product Information".

Pepperl+Fuchs Group  
www.pepperl-fuchs.com

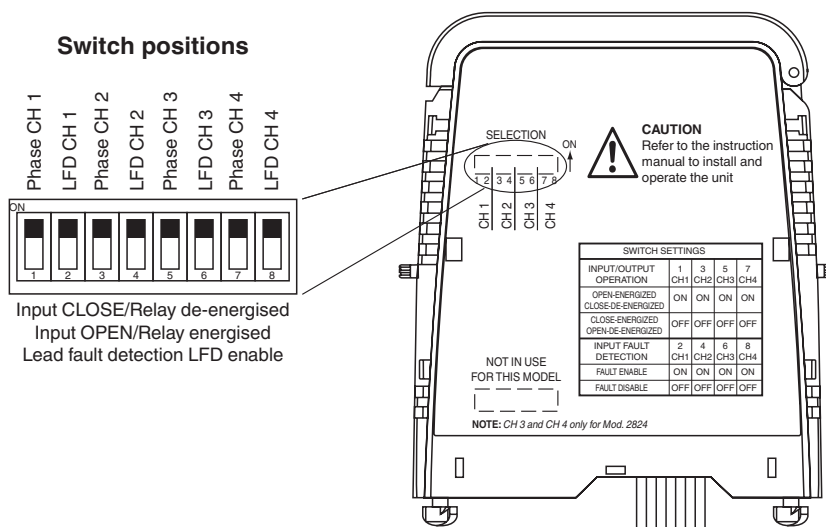
USA: +1 330 486 0002  
pa-info@us.pepperl-fuchs.com

Germany: +49 621 776 2222  
pa-info@de.pepperl-fuchs.com

Singapore: +65 6779 9091  
pa-info@sg.pepperl-fuchs.com

Certificate	PF 11 CERT 2109 X
Marking	II 3G Ex nA nC IIC T4 Gc
Galvanic isolation	
Input/input	safe electrical isolation acc. to EN 60079-11:2007, voltage peak value 60 V
Input/Output	safe electrical isolation acc. to EN 60079-11: 2007, voltage peak value 375 V
Input/power supply	safe electrical isolation acc. to EN 60079-11: 2007, voltage peak value 375 V
Directive conformity	
Directive 2014/34/EU	EN 60079-0:2012+A11:2013 , EN 60079-11:2012 , EN 60079-15:2010
<b>International approvals</b>	
CSA approval	
Control drawing	366-005CS-12B (cCSAus)
IECEX approval	IECEX TUN 04.0012
Approved for	[Ex ia] IIC
<b>General information</b>	
Supplementary information	Observe the certificates, declarations of conformity, instruction manuals, and manuals where applicable. For information see <a href="http://www.pepperl-fuchs.com">www.pepperl-fuchs.com</a> .

## Configuration



Channel 3 and 4 (switch 5 ... 8) only for HiD2824.

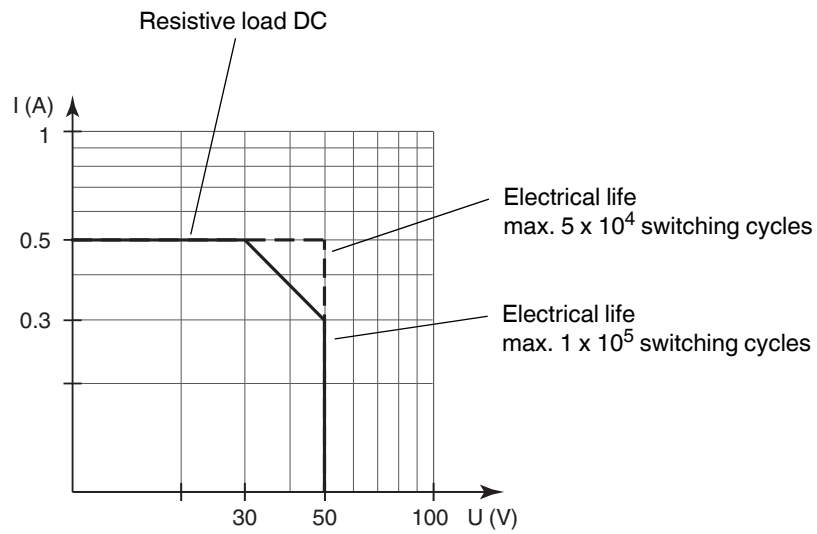
Configure the device in the following way:

- Push the red Quick Lok Bars on each side of the device in the upper position.
- Remove the device from Termination Board.
- Set the DIP switches according to the figure.



The pins for this device are trimmed to polarize it according to its safety parameter. Do not change! For further information see system description.

**Maximum switching power of output contacts**



The maximum number of switching cycles is depending on the electrical load and may be higher when reduced currents and voltages are applied.